

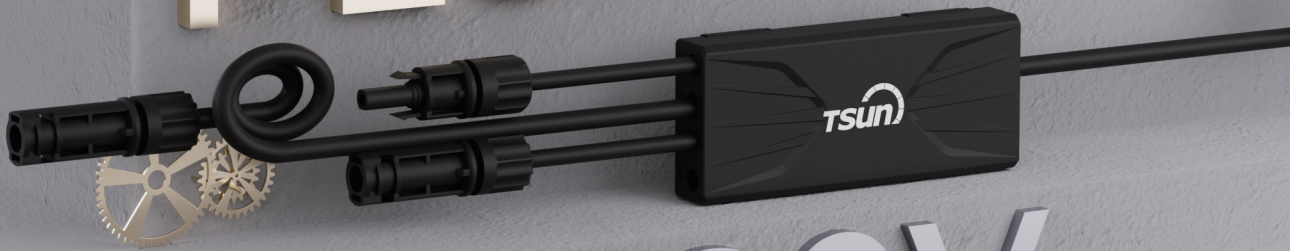


TSUN Module Level Rapid Shutdown(PLC) & Control Box(PLC)

TSOL-PL80P-11
TSOL-PL80P-21
TSOL-PCY/PCZS-P-4



PLC

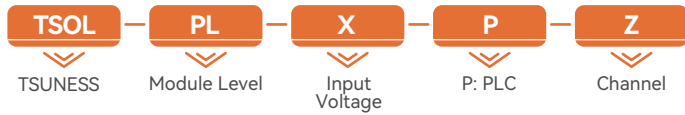


80V

TSUNESS Co., Ltd

sales@tsun-ess.com www.tsun-ess.com +86-512-66186028

Select Code



Technical Data

TSOL Series Rapid Shutdown (PLC)

Type	TSOL-PL80P-11	TSOL-PL80P-21
Number of PV Inputs	1	2
Number of Modules Recommend	1	2
Maximum Allowed Input Voltage	80V	80V
Maximum Allowed Input Current	15A/20A	
Maximum Output Voltage	80V	80V
System Voltage	1000V / 1500V	
Control Compliance	Power Line Communication (PLC)	
Humidity	Input Over / Under Voltage	
Ambient Operating Temperature	-30° C to +80°C	
Protection Temperature	85°C	
IP Level	>IP68.NEMA 4X	
Fire-proof Level	Flame retardant UL94-V0	
Protections	0%~90%	
PY Connectors	MC4 (Customized)	
Design Life Span	25 years	
Size	120*43.820mm	
Weight	< 150g (Excluding Cables)	
Cable Length, PV1+ Input	600mm	600mm
Cable Length, PV1- Input	600mm	600mm
Cable Length, PV2+ Input	/	600mm
Cable Length, PV2- Input	/	600mm
Cable Length, Power Output	1200mm+1200mm	1200mm+1200mm
Standard Compliance	NEC2017/2020(690.12); UL1741; UL3741; IEC/EN62109; IEC/EN61000	

TSOL Series Rapid Shutdown Control Box (PLC)

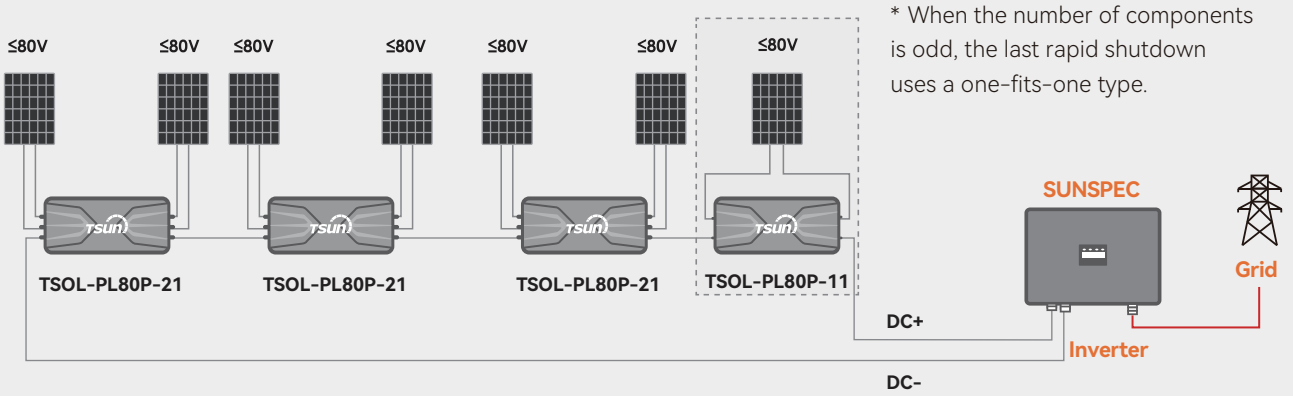
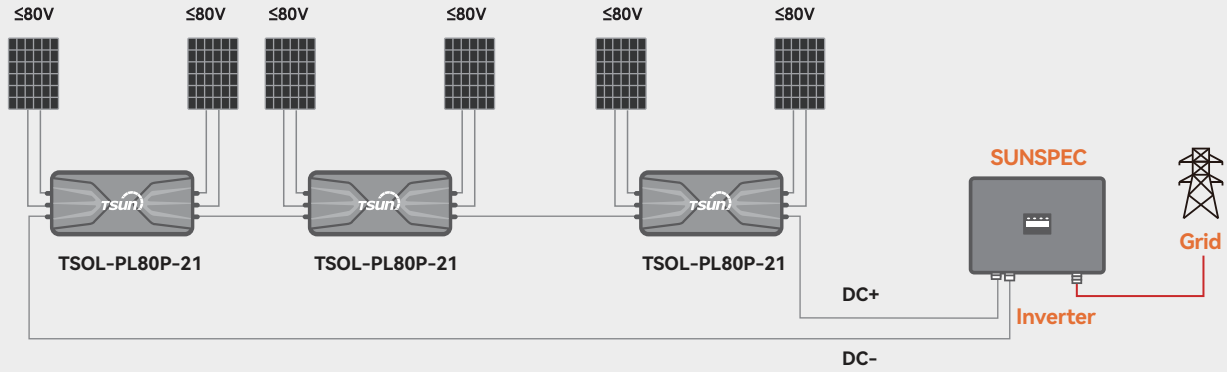
Model	TSOL-PCY/PCZS-P-4
Operating AC Voltage Range	85 V-264 V
Norminal Frequency	50/60 Hz
Power Consumption	<1W
DC Input Strings	4
Maximum TSOL-PL80P-11	80 Units
Maximum TSOL-PL80P-21	40 Units
Dimensions(mm)	210*175*105
With Lock	Optional
Operating Temperature Range	-30C to +55°C
Protection Class	IP65
Communication	PLC
Mounting	Wall Mounted

System Diagram

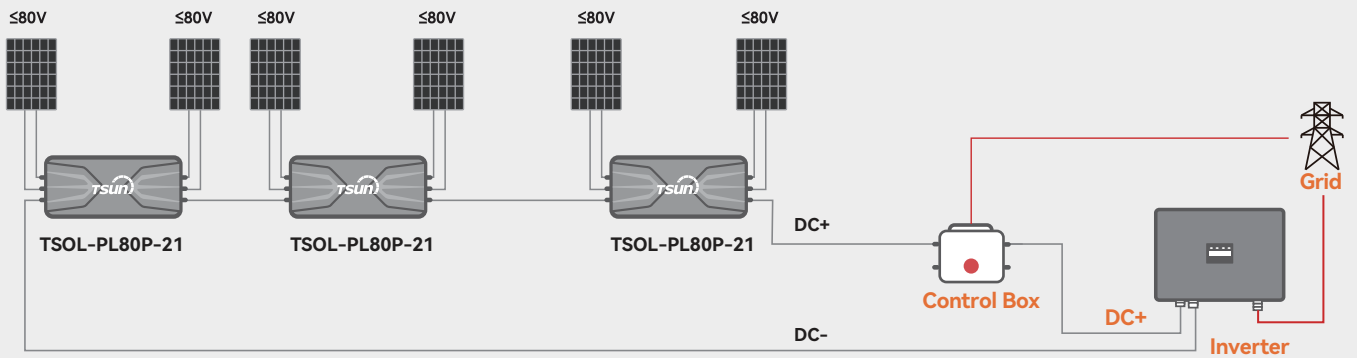
TSOL-PL80P-21

When the open-circuit voltage of PV panel is below 80V.

Without control box



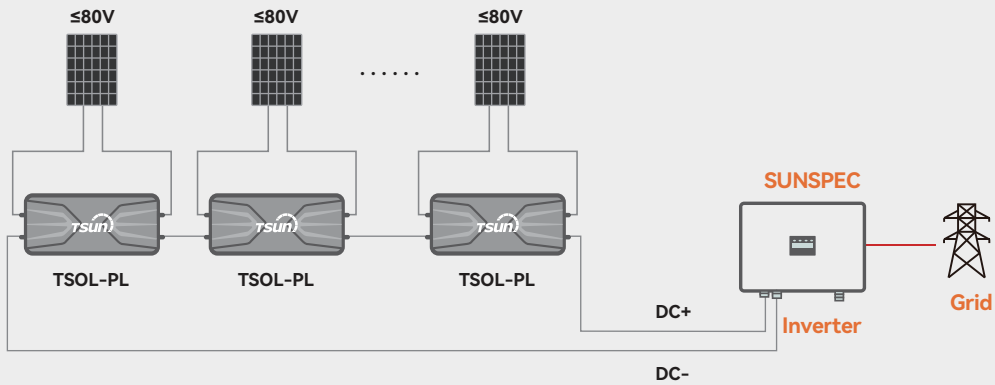
With control box



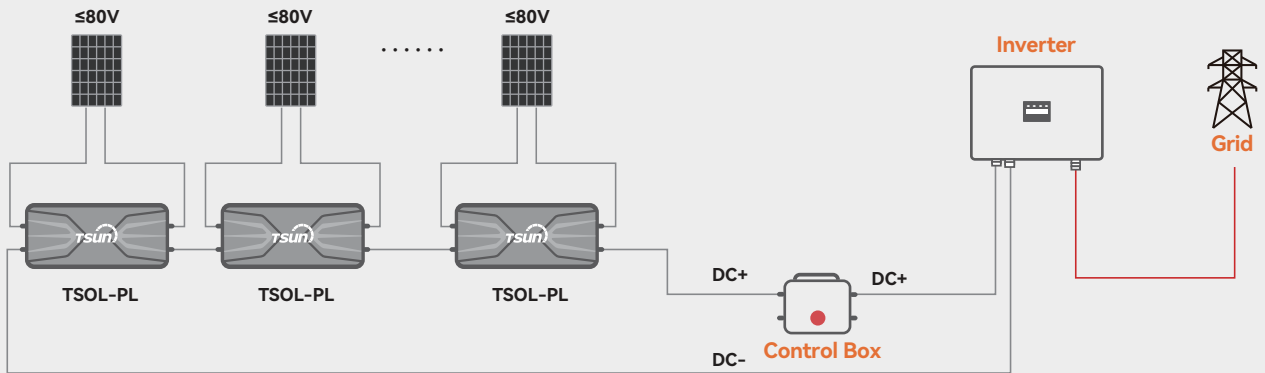
TSOL-PL80P-11

When the open-circuit voltage of PV panel is below 80V.

Without control box

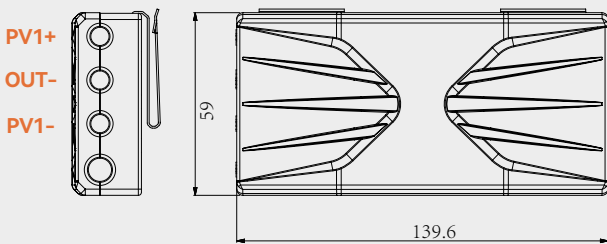


With control box



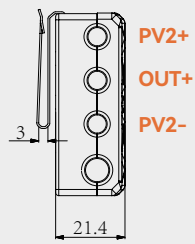
Dimension

TSOL-PL80P-21

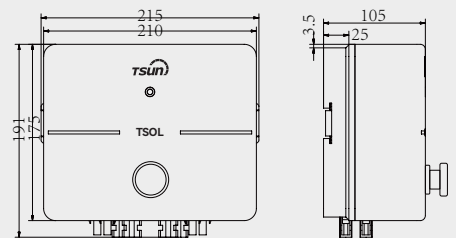


(Unit: ±0.5mm)

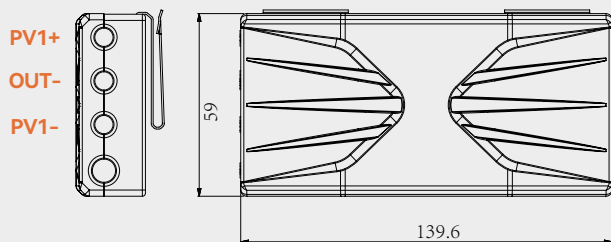
TSOL-PCY/PCES-P-4



(Unit: mm)



TSOL-PL80P-11



(Unit: ±0.5mm)

