

G3&G3 Plus Multilingual user manual reading instructions

English version user manual:	<u>1-26 pages</u>
Manual do utilizador da versão portuguesa:	<u>páginas 27-46</u>
Bedienungsanleitung in deutscher Version:	<u>Seiten 47-77</u>



User Manual

TSOL-MS300

TSOL-MS350

TSOL-MS400

TSOL-MS600

TSOL-MS700

TSOL-MS800

TSOL-MS600-D

TSOL-MS700-D

TSOL-MS800-D

TSOL-MS1600

TSOL-MS1800

TSOL-MS2000

TSOL-MS2000 (1500)

Trademarks and Permissions

TSUN and other TSUNESS trademarks are trademarks of TSUNESS Co., Ltd. All other trademarks and trade names mentioned in this document are the property of their respective holders.

TSUNESS Co., Ltd makes no representations express or implied, concerning this documentation or any of the equipment and / or software it may describe, including (with no limitation) any implied warranties of utility, merchantability, or fitness for any particular purpose.

All such warranties are expressly disclaimed. Neither TSUNESS nor its distributors or dealers shall be liable for any indirect, incidental, or consequential damages under any circumstances. (The exclusion of implied warranties may not apply in all cases under some statutes, and thus the above exclusion may not apply.)

Specifications are subject to change without notice. Every attempt has been made to make this document complete, accurate, and up-to-date. Readers are cautioned, however, that TSUNESS reserves the right to make changes without notice and shall not be responsible for any damages, including indirect, incidental, or consequential damages, caused by reliance on the material presented, including, but not limited to, omissions, typographical errors, arithmetical errors or listing errors in the content material.

All trademarks are recognized even if these are not marked separately. Missing designations do not mean that a product or brand is not a registered trademark. All trademarks are recognized as the property of their respective owners.

Product information is subject to change without notice. User documentation is updated frequently; Check www.tsun-ess.com for the latest information. To ensure optimal reliability and meet warranty requirements, the TSUN Microinverter must be installed according to the instructions in this manual. For warranty text refer to www.tsun-ess.com.

© 2022 TSUNESS Co., Ltd All rights reserved.

Audience

This manual is intended for use by professional installation and maintenance personnel.

Content

Trademarks and Permissions	错误! 未定义书签。
Audience	2
Content	3
Read This First	4
Important Safety Information	4
Product Label	4
System Introduction	5
Product Description	7
Datasheet	8
Microinverter Installation	16
Pre-installation Check	16
Installation Steps	16
Remote Active Power Control	23
Self-Test Function for Italy	23
Fault Code and Troubleshooting	24
Maintenance Guide	24
Routine Maintenance	24
Storage and Dismantling	25
Recycling and Disposal	25
Warranty Service	25
Exclusions	26
Distributor Responsibility	26

Read This First

Dear customer, thank you for choosing the series microinverter from TSUN. We hope you will find our products meet your needs for renewable energy. Meantime, we appreciate your feedback regarding our products.

A solar microinverter, or simply microinverter, is a plug-and-play device used in photovoltaics, that converts direct current (DC) generated by a single solar module to alternating current (AC). The main advantage is that small amounts of shading, debris, or snow lines on any single solar module, or even a complete module failure, do not disproportionately reduce the output of the entire array. Each microinverter harvests optimum power by performing maximum power point tracking (MPPT) for its connected module. Simplicity in system design, lower amperage wires, simplified stock management, and added safety are other factors introduced with the microinverter solution.




This manual contains important instructions for microinverters and must be read in their entirety before installing or commissioning the equipment. For safety, only qualified technicians, who have received training or have demonstrated skills can install and maintain this microinverter under the guide of this document.

Important Safety Information










During installation, testing, and inspection, adherence to all the handling and safety instructions is mandatory. Failure to do so may result in injury or loss of life and damage to the equipment.

Product Label

The following safety symbols are used in this document. Familiarize yourself with the symbols and their meaning before installing or operating the system.

 DANGER
· indicates a hazardous situation that can result in deadly electric shock hazards, other serious physical injury, or fire hazards.
 WARNING
· indicates directions that must be fully understood and followed in their entirety in order to avoid potential safety hazards including equipment damage or personal injury.
 CAUTION
· indicates that the described operation must not be carried out. The reader should stop using and fully understand the operations explained before proceeding.

The symbols on the microinverter are listed below and illustrated in detail.

Symbol	Description
	This device is directly connected to the public grid, thus all work to the inverter shall only be carried out by qualified personnel.
	The components inside the inverter will release a lot of heat during operation. Do not touch metal plate housing during operation.
	Please read the installation manual first before installation, operation, and maintenance.
	This device SHALL NOT be disposed of in residential waste.
	This device fulfills the requirements of the Radio Equipment Directive.
RoHS	This device complies with the RoHS Directive.
	There is a risk of electric shock during energy conversion. Before releasing the remaining voltage, do not perform any operations and do not enter within 25 centimeters of the surrounding area.
	Before opening the lid, it is necessary to disconnect the device and let it sit for at least 5 minutes.
	This device fulfills the requirements of INMETRO.
	This device fulfills the requirements of ANATEL, the certificate number is 14715-23-02060.

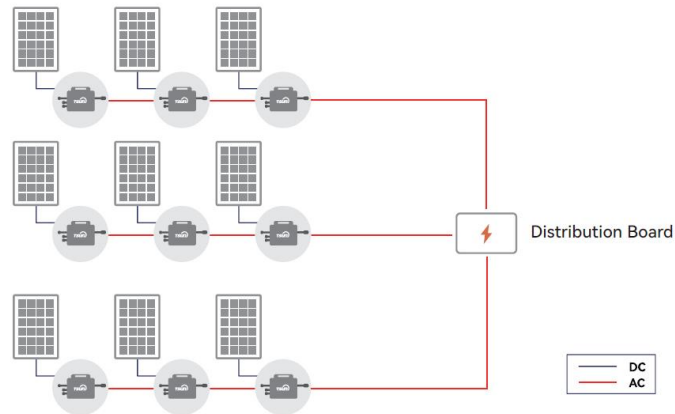
System Introduction

The microinverter is used in grid-tied applications, comprised of two key elements:

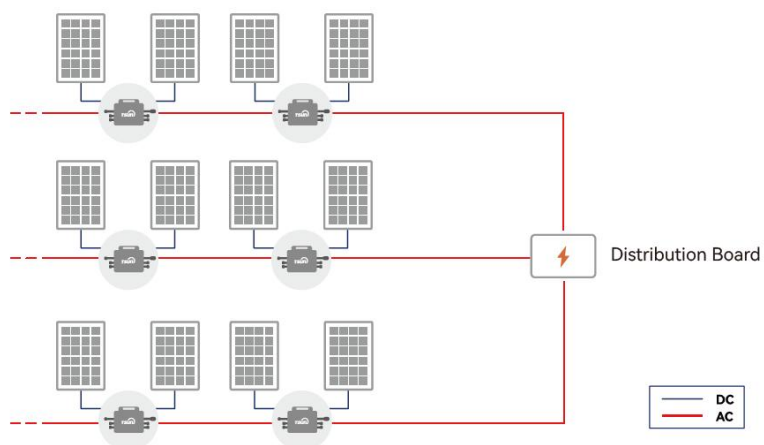
- Microinverter.
- TSUN monitoring system.

The microinverter converts the DC electricity generated by solar panels into AC electricity which is in accordance with the requirements of the public grid and sends the AC into the grid,

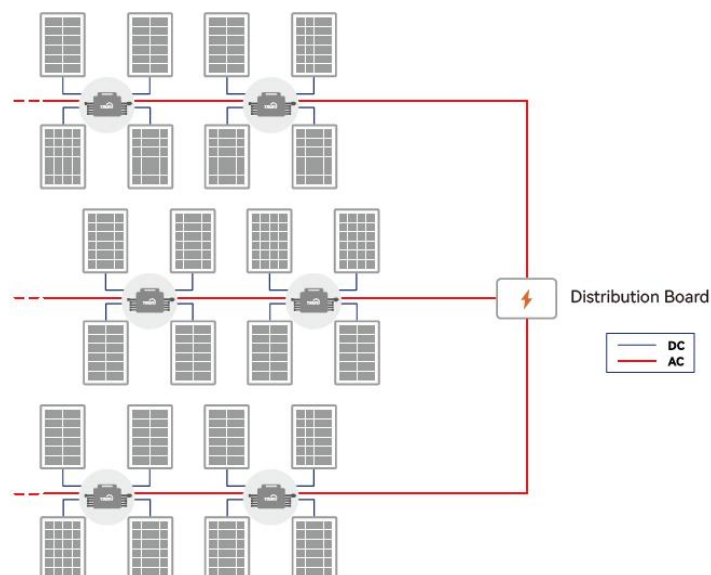
reducing the load pressure of the grid.



TSOL- MS300/MS350/MS400

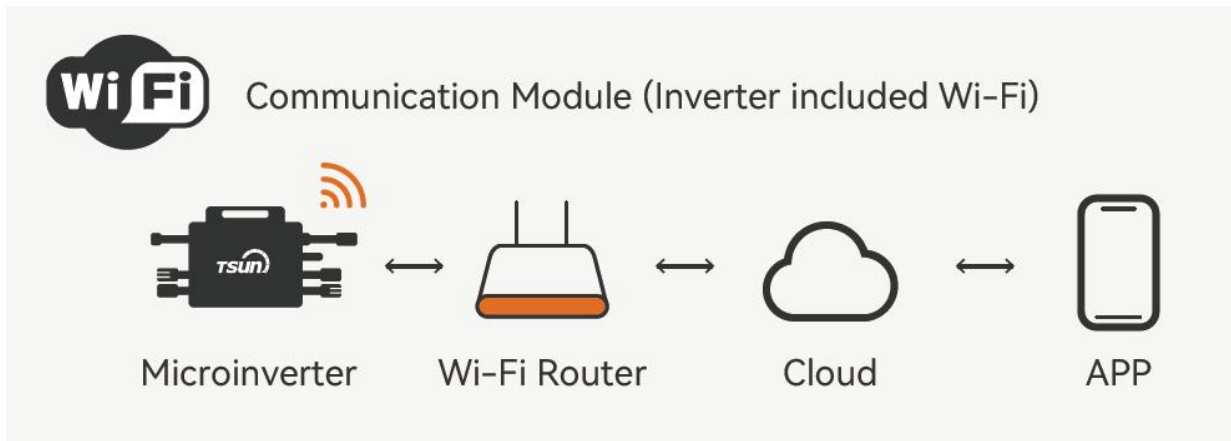


TSOL- MS600/MS700/MS800/MS600-D/MS700-D/MS800-D

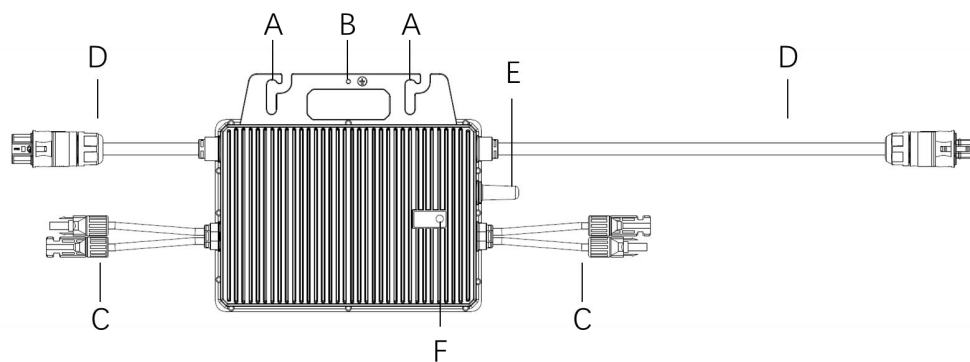


TSOL-MS1600/MS1800/MS2000/MS2000 (1500)

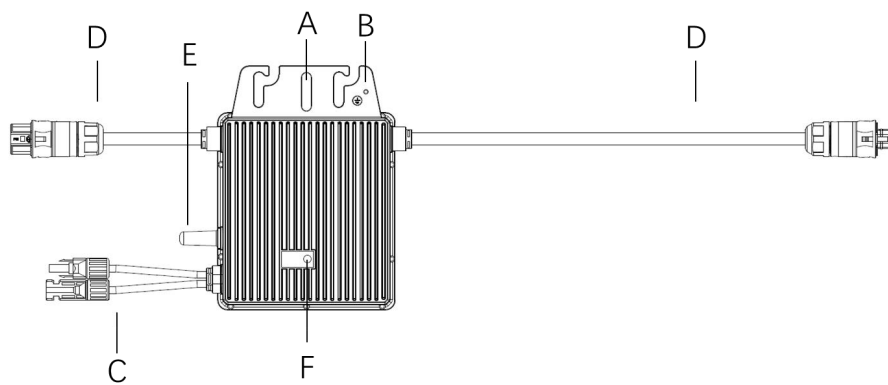
The microinverter is integrated with the Wi-Fi module and connects to the home Wi-Fi router directly. Users can monitor the power generation of the system by TSUN monitoring App.



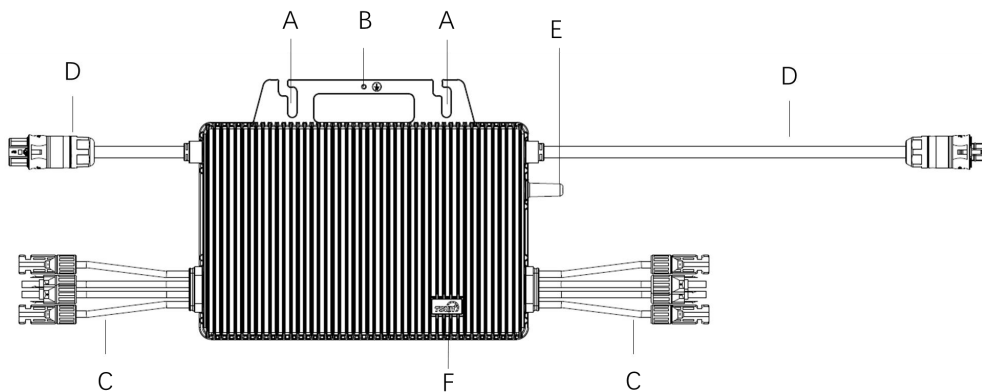
Product Description



TSOL- MS600/MS700/MS800/MS600-D/MS700-D/MS800-D



TSOL- MS400/MS350/MS300



TSOL-MS1600/MS1800/MS2000/MS2000 (1500)

A	Mounting Hole	D	AC Cable
B	Grounding Hole	E	Antenna
C	DC Cables	F	Status Light

Datasheet

Model	TSOL-MS800	TSOL-MS700	TSOL-MS600
Input Data (DC)			
Recommended Module Power (W)	300 ~ 550	300 ~ 550	300 ~ 550
Start-up Voltage per Input (V)	22		
Rated Input Voltage (V)	42		
MPPT Voltage Range per Input (V)	16~60		
Max. Input Voltage per Input (V)	60		
Max. Short-circuit Current per Input (A)	20	20	20
Max. Input Current per Input (A)	14	14	14
Quantity of MPPT	2		
Max. Inverter Back-feed Current to the Array (A)	0		
Output Data (AC)			
Max. Output Power (VA)	800	700	600
Nominal Continuous Output Power (W)	800	700	600
Nominal Output Current (A)	3.48	3.04	2.61
Max. Output Current (A)	4	3.19	3
Nominal Output Voltage/Range (V)*	220/230/240, 175 – 270, L/N/PE		
Nominal Frequency (Hz)*	50/60		
Power Factor	>0.99 default, 0.8 leading ... 0.8 lagging		
Output Current Harmonic Distortion	<3%		
Efficiency			
Peak Inverter Efficiency	96.7%	96.7%	96.7%
CEC Weighted Efficiency	96.5%	96.5%	96.5%
Nominal Mppt Efficiency	99.9%	99.9%	99.9%
Nighttime Power Consumption	<50mW	<50mW	<50mW
Protection			
Anti-Islanding protection	Integrated		
Insulation monitoring	Integrated		
AC surge protection	TYPE II		
AC overcurrent protection	Integrated		
AC short-circuit protection	Integrated		
AC overvoltage protection	Integrated		
Over-heat protection	Integrated		
Mechanical Data			
Dimensions (W×H×D mm)	250 * 223 * 30		

Weight [kg]	3.1
General Data	
Display	LED indicators; TSUN APP+WEB
Communication	built-in WiFi module
Type of Isolation	Galvanically Isolated HF Transformer
Type of Enclosure	IP67
Cooling	Natural convection
Operating Ambient Temperature Range	-40 ~ +65 (derating of over 50°C Ambient Temperature)
Relative Humidity	100%
Max. Operating Altitude Without Derating [m]	2000
WiFi Standard	802.11b/g/n
WiFi Frequency Range	2.412GHz-2.472GHz
WiFi Transmitting Power	802.11b: +17dBm + 1.5dBm (@11Mbps)
	802.11g:+15dBm + 1.5dBm(@54Mbps)
	802.11n: +14dBm + 1.5dBm(@HT20, MCS7)
WiFi Receiving Sensitivity	802.11b:-96dBm(@1Mbps)
	802.11b:-89dBm(@11Mbps)
	802.11g:-91dBm(@6Mbps)
	802.11g:-76dBm(@54Mbps)
	802.11n:-91dBm(@MCS0)
	802.11n:-73dBm(@MCS7)
BLE Standard	BLE5.0
BLE Frequency Range	2.402GHz-2.480GHz
BLE Transmitting Power	Max 15dBm
BLE Receiving Sensitivity	-97 dBm

※ The AC voltage and frequency range may vary depending on specific country grid.

Model	TSOL-MS800-D	TSOL-MS700-D	TSOL-MS600-D
Input Data (DC)			
Recommended Module Power (W)	300 ~ 550	300 ~ 550	300 ~ 550
Start-up Voltage per Input (V)	22		
Rated Input Voltage (V)	42		
MPPT Voltage Range per Input (V)	16~60		
Max. Input Voltage per Input (V)	60		
Max. Short-circuit Current per Input (A)	20	20	20
Max. Input Current per Input (A)	14	14	14
Quantity of MPPT	2		
Max. Inverter Back-feed Current to the Array (A)	0		
Output Data (AC)			
Max. Output Power (VA)	800	700	600

Nominal Continuous Output Power (W)	800	700	600
Nominal Output Current (A)	3.48	3.04	2.61
Max. Output Current (A)	4	3.19	3
Nominal Output Voltage/Range (V)*	220/230/240, 175 – 270, L/N/PE		
Nominal Frequency (Hz)*	50/60		
Power Factor	>0.99 default, 0.8 leading ... 0.8 lagging		
Output Current Harmonic Distortion	<3%		
Efficiency			
Peak Inverter Efficiency	96.7%	96.7%	96.7%
CEC Weighted Efficiency	96.5%	96.5%	96.5%
Nominal Mppt Efficiency	99.9%	99.9%	99.9%
Nighttime Power Consumption	<50mW	<50mW	<50mW
Protection			
Anti-Islanding protection	Integrated		
Insulation monitoring	Integrated		
AC surge protection	TYPE II		
AC overcurrent protection	Integrated		
AC short-circuit protection	Integrated		
AC overvoltage protection	Integrated		
Over-heat protection	Integrated		
Mechanical Data			
Dimensions (W×H×D mm)	250 * 223 * 30		
Weight [kg]	3.1		
General Data			
Display	LED indicators; TSUN APP+WEB		
Communication	built-in WiFi module		
Type of Isolation	Galvanically Isolated HF Transformer		
Type of Enclosure	IP67		
Cooling	Natural convection		
Operating Ambient Temperature Range	-40 ~ +65 (derating of over 50°C Ambient Temperature)		
Relative Humidity	100%		
Max. Operating Altitude Without Derating [m]	2000		
WiFi Standard	802.11b/g/n		
WiFi Frequency Range	2.412GHz-2.472GHz		
WiFi Transmitting Power	802.11b: +17dBm + 1.5dBm (@11Mbps)		
	802.11g: +15dBm + 1.5dBm (@54Mbps)		
	802.11n: +14dBm + 1.5dBm (@HT20, MCS7)		
WiFi Receiving Sensitivity	802.11b: -96dBm (@1Mbps)		
	802.11b: -89dBm (@11Mbps)		
	802.11g: -91dBm (@6Mbps)		
	802.11g: -76dBm (@54Mbps)		
	802.11n: -91dBm (@MCS0)		

	802.11n:-73dBm(@MCS7)
BLE Standard	BLE5.0
BLE Frequency Range	2.402GHz-2.480GHz
BLE Transmitting Power	Max 15dBm
BLE Receiving Sensitivity	-97 dBm

※ The AC voltage and frequency range may vary depending on specific country grid.

Model	TSOL-MS400	TSOL-MS350	TSOL-MS300
Input Data (DC)			
Recommended Module Power (W)	300 ~ 550	300 ~ 550	300 ~ 550
Start-up Voltage per Input (V)	22		
Rated Input Voltage (V)	42		
MPPT Voltage Range per Input (V)	16~60		
Max. Input Voltage per Input (V)	60		
Max. Short-circuit Current per Input (A)	20	20	20
Max. Input Current per Input (A)	14	14	14
Quantity of MPPT	1		
Max. Inverter Back-feed Current to the Array (A)	0		
Output Data (AC)			
Max. Output Power (VA)	400	350	300
Nominal Continuous Output Power (W)	400	350	300
Nominal Output Current (A)	1.74	1.52	1.3
Max. Output Current (A)	2	1.59	1.45
Nominal Output Voltage/Range (V)*	220/230/240, 175 – 270, L/N/PE		
Nominal Frequency (Hz)*	50/60		
Power Factor	>0.99 default, 0.8 leading ... 0.8 lagging		
Output Current Harmonic Distortion	<3%		
Efficiency			
Peak Inverter Efficiency	96.7%	96.7%	96.7%
CEC Weighted Efficiency	96.5%	96.5%	96.5%
Nominal Mppt Efficiency	99.9%	99.9%	99.9%
Nighttime Power Consumption	<50mW	<50mW	<50mW
Protection			
Anti-Islanding protection	Integrated		
Insulation monitoring	Integrated		
AC surge protection	TYPE II		
AC overcurrent protection	Integrated		
AC short-circuit protection	Integrated		
AC overvoltage protection	Integrated		
Over-heat protection	Integrated		
Mechanical Data			

Dimensions (W×H×D mm)	164 * 225 * 30
Weight [kg]	2.1
General Data	
Display	LED indicators; TSUN APP+WEB
Communication	built-in WiFi module
Type of Isolation	Galvanically Isolated HF Transformer
Type of Enclosure	IP67
Cooling	Natural convection
Operating Ambient Temperature Range	-40 ~ +65 (derating of over 50°C Ambient Temperature)
Relative Humidity	100%
Max. Operating Altitude Without Derating [m]	2000
WiFi Standard	802.11b/g/n
WiFi Frequency Range	2.412GHz-2.472GHz
WiFi Transmitting Power	802.11b: +17dBm + 1.5dBm (@11Mbps)
	802.11g: +15dBm + 1.5dBm (@54Mbps)
	802.11n: +14dBm + 1.5dBm (@HT20, MCS7)
WiFi Receiving Sensitivity	802.11b: -96dBm (@1Mbps)
	802.11b: -89dBm (@11Mbps)
	802.11g: -91dBm (@6Mbps)
	802.11g: -76dBm (@54Mbps)
	802.11n: -91dBm (@MCS0)
	802.11n: -73dBm (@MCS7)
BLE Standard	BLE5.0
BLE Frequency Range	2.402GHz-2.480GHz
BLE Transmitting Power	Max 15dBm
BLE Receiving Sensitivity	-97 dBm

※ The AC voltage and frequency range may vary depending on specific country grid.

Model	TSOL-MS1600	TSOL-MS1800	TSOL-MS2000
Input Data (DC)			
Recommended Module Power (W)	300 - 700+	300 - 700+	300 - 700+
Start-up Voltage per Input (V)	22		
Rated Input Voltage (V)	42		
MPPT Voltage Range per Input (V)	16~60		
Max. Input Voltage per Input (V)	60		
Max. Short-circuit Current per Input (A)	25	25	25
Max. Input Current per Input (A)	16	16	16
Quantity of MPPT	4		
Max. Inverter Back-feed Current to the Array (A)	0		
Output Data (AC)			

Max. Output Power (VA)	1600	1800	2000
Nominal Continuous Output Power (W)	1600	1800	2000
Nominal Output Current (A)	7	7.8	8.7
Max. Output Current (A)	8	9	10
Inrush Current (A)	12	15	15
Max. Output Fault Current (A)	32	40	40
Max. Output Overcurrent Protection (A)	18	18	18
Nominal Output Voltage/Range (V)*	220/230/240, 175 – 270, L/N/PE		
Nominal Frequency (Hz)*	50/60		
Power Factor	>0.99 default, 0.8 leading ... 0.8 lagging		
Output Current Harmonic Distortion	<3%		
Efficiency			
Peak Inverter Efficiency	96.7%	96.7%	96.7%
CEC Weighted Efficiency	96.5%	96.5%	96.5%
Nominal Mppt Efficiency	99.9%	99.9%	99.9%
Nighttime Power Consumption	<50mW	<50mW	<50mW
Protection			
Anti-Islanding protection	Integrated		
Insulation monitoring	Integrated		
AC surge protection	TYPE II		
AC overcurrent protection	Integrated		
AC short-circuit protection	Integrated		
AC overvoltage protection	Integrated		
Over-heat protection	Integrated		
Mechanical Data			
Dimensions (W×H×D mm)	331 * 261 * 44		
Weight [kg]	5.5		
General Data			
Display	LED indicators; TSUN APP+WEB		
Communication	built-in WiFi module		
Type of Isolation	Galvanically Isolated HF Transformer		
Type of Enclosure	IP67		
Protection Class	I		
Cooling	Natural convection		
Operating Ambient Temperature Range	-40 ~ +65 (derating of over 50°C Ambient Temperature)		
Relative Humidity	100%		
Max. Operating Altitude Without Derating [m]	2000		
WiFi Standard	802.11b/g/n		
WiFi Frequency Range	2.412GHz-2.472GHz		
WiFi Transmitting Power	802.11b: +17dBm + 1.5dBm (@11Mbps)		
	802.11g:+15dBm + 1.5dBm(@54Mbps)		

	802.11n: +14dBm + 1.5dBm(@HT20, MCS7)
WiFi Receiving Sensitivity	802.11b:-96dBm(@1Mbps)
	802.11b:-89dBm(@11Mbps)
	802.11g:-91dBm(@6Mbps)
	802.11g:-76dBm(@54Mbps)
	802.11n:-91dBm(@MCS0)
	802.11n:-73dBm(@MCS7)
BLE Standard	BLE5.0
BLE Frequency Range	2.402GHz-2.480GHz
BLE Transmitting Power	Max 15dBm
BLE Receiving Sensitivity	-97 dBm

※ The AC voltage and frequency range may vary depending on specific country grid.

Model	TSOL-MS2000(1500)
Input Data (DC)	
Recommended Module Power (W)	300 - 700+
Start-up Voltage per Input (V)	22
Rated Input Voltage (V)	42
MPPT Voltage Range per Input (V)	16~60
Max. Input Voltage per Input (V)	60
Max. Short-circuit Current per Input (A)	25
Max. Input Current per Input (A)	16
Quantity of MPPT	4
Max. Inverter Back-feed Current to the Array (A)	0
Output Data (AC)	
Max. Output Power (VA)	1500
Nominal Continuous Output Power (W)	1500
Nominal Output Current (A)	6.52
Max. Output Current (A)	7.5
Inrush Current (A)	12
Max. Output Fault Current (A)	32
Max. Output Overcurrent Protection (A)	18
Nominal Output Voltage/Range (V)*	220/230/240, 175 – 270, L/N/PE
Nominal Frequency (Hz)*	50/60
Power Factor	>0.99 default, 0.8 leading ... 0.8 lagging
Output Current Harmonic Distortion	<3%
Efficiency	
Peak Inverter Efficiency	96.7%
CEC Weighted Efficiency	96.5%
Nominal Mppt Efficiency	99.9%

Nighttime Power Consumption	<50mW
Protection	
Anti-Islanding protection	Integrated
Insulation monitoring	Integrated
AC surge protection	TYPE II
AC overcurrent protection	Integrated
AC short-circuit protection	Integrated
AC overvoltage protection	Integrated
Over-heat protection	Integrated
Mechanical Data	
Dimensions (W×H×D mm)	331 * 261 * 44
Weight [kg]	5.5
General Data	
Display	LED indicators; TSUN APP+WEB
Communication	built-in WiFi module
Type of Isolation	Galvanically Isolated HF Transformer
Type of Enclosure	IP67
Protection Class	I
Cooling	Natural convection
Operating Ambient Temperature Range	-40 ~ +65 (derating of over 50°C Ambient Temperature)
Relative Humidity	100%
Max. Operating Altitude Without Derating [m]	2000
WiFi Standard	802.11b/g/n
WiFi Frequency Range	2.412GHz-2.472GHz
WiFi Transmitting Power	802.11b: +17dBm + 1.5dBm (@11Mbps)
	802.11g: +15dBm + 1.5dBm (@54Mbps)
	802.11n: +14dBm + 1.5dBm (@HT20, MCS7)
WiFi Receiving Sensitivity	802.11b: -96dBm (@1Mbps)
	802.11b: -89dBm (@11Mbps)
	802.11g: -91dBm (@6Mbps)
	802.11g: -76dBm (@54Mbps)
	802.11n: -91dBm (@MCS0)
	802.11n: -73dBm (@MCS7)
BLE Standard	BLE5.0
BLE Frequency Range	2.402GHz-2.480GHz
BLE Transmitting Power	Max 15dBm
BLE Receiving Sensitivity	-97 dBm

※ The AC voltage and frequency range may vary depending on specific country grid.

TSUNESS Co., Ltd declares that the radio equipment (Micro inverter) is in complies with Directive 2014/53/EU. The full text of the EU Declaration of Conformity is available at the following internet address: [https://www.tsun-ess.com/File/\\$random-2023-07-03-091204-@2a\\$-97Z](https://www.tsun-ess.com/File/$random-2023-07-03-091204-@2a$-97Z)

Microinverter Installation

Pre-installation Check

Check the Package

Although TSUN's microinverters have surpassed stringent testing and are checked before they leave the factory, it is uncertain that the microinverters may suffer damage during transportation. Please check the package for any obvious signs of damage, and if such evidence is present, do not open the package and contact your dealer as soon as possible.

Check the Installation Environment and Position

When choosing the position of installation, comply with the following conditions:

- ◆ To avoid unwanted power derating due to an increase in the internal temperature of the inverter, do not expose it to direct sunlight.
- ◆ To avoid overheating, always make sure the flow of air around the inverter is not blocked.
- ◆ Do not install in places where gasses or flammable substances may be present.
- ◆ Avoid electromagnetic interference that can compromise the correct operation of electronic equipment.
- ◆ It's recommended to install microinverter on structures underneath the photovoltaic modules so that they work in the shade.
- ◆ Use a mobile phone to check the Wi-Fi signal strength at the installation position. If the Wi-Fi signal is bad, try to install the microinverter in another position or move the Wi-Fi router.

Installation Steps



- Only qualified personnel should install, troubleshoot, or replace G3 micro inverters or the cable and accessories.
- Before installation, check the unit to ensure the absence of any transport or handling damage, which could affect insulation integrity or safety clearances.
- Unauthorized removal of necessary protections, improper use, incorrect installation, and operation may lead to serious safety and shock hazards or equipment damage.
- Be aware that installation of this equipment includes the risk of electric shock.

Step 1. Fix the microinverter.



- Do not install the equipment in adverse environmental conditions such as flammable, explosive, corrosive, extremely high or low temperature, and humid.

⚠ WARNING

·Choose the installation location carefully and adhere to specified cooling requirements. Micro-inverter should be installed in a suitable position with good ventilation and no direct sunshine.

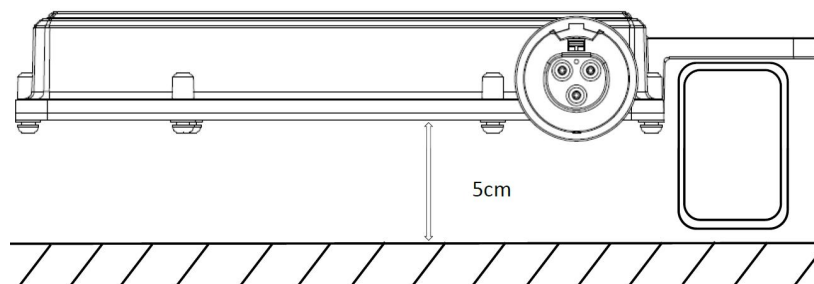
⚠ CAUTION

·There are no screws and nuts in the package.
·The distance between every two micro-inverters should meet the length of AC cables. The length of the AC cables is shown below:

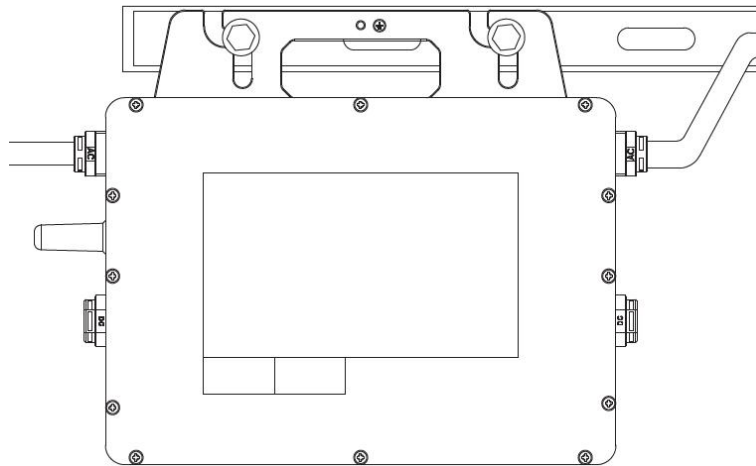
Model	Cable Length
TSOL-MS800/MS700/MS600	2.5 m
TSOL-MS600-D/MS700-D/MS800-D	
TSOL-MS1600/MS1800/MS2000/MS2000 (1500)	
TSOL-MS400/MS350/MS300	1.4 m

• Please use your mobile phone to check the WiFi signal strength at the installation location, ensuring that the WiFi signal is at least two bars. If the WiFi signal is not good, please try installing the mini inverter in another location or moving the WiFi router.

Tip: A space of 5cm needs to be left between the microinverter and the roof to ensure its heat dissipation.



Choose the best installation position. Use two pairs of screws and nuts to fix the microinverter on the frame. Make sure that the label of the microinverter should be the upside.

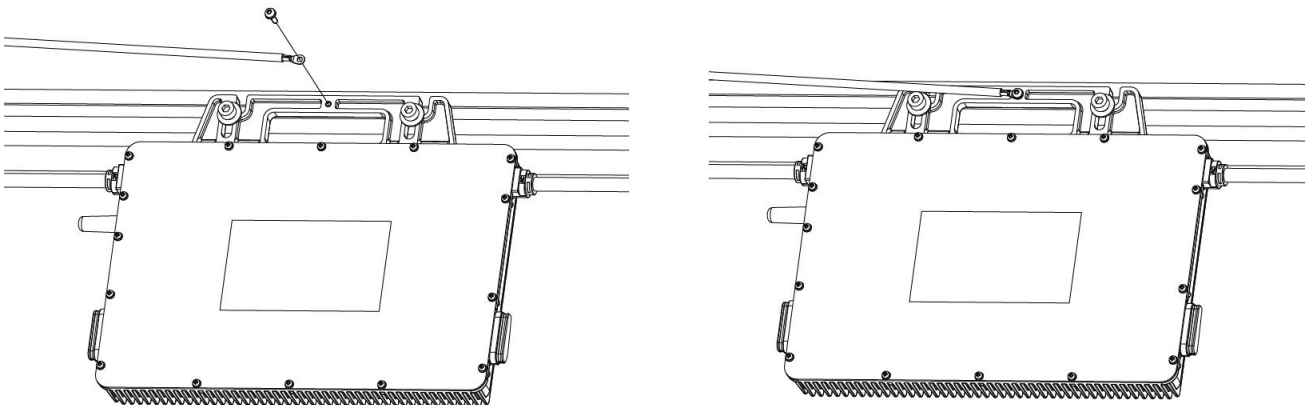


Step 2. Connect the ground cable

WARNING

- Ensure that all the microinverters are well grounded.
- Use $\phi 6$ screw for the ground port.

Connect the ground cable to the enclosure of the microinverter.



Step 3. Connect the AC cable of two microinverters

WARNING

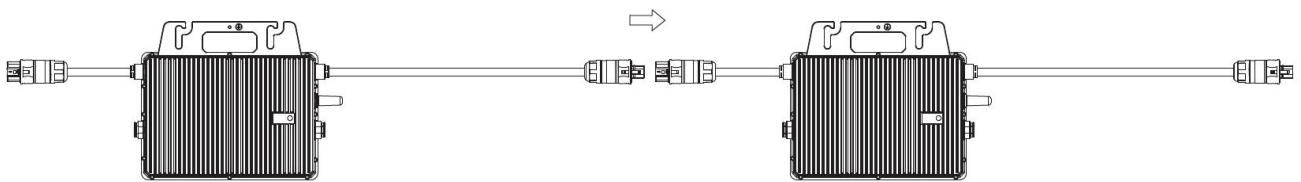
·According to the max current of the AC cables, there is a max installation quantity for the micro-inverter in each cable section.

Model	Quantities for each cable section
TSOL-MS1800/MS2000	2
TSOL-MS1600/MS2000(1500)	3
TSOL-MS800/800-D	5
TSOL-MS700/700-D	6
TSOL-MS600/MS600-D	7

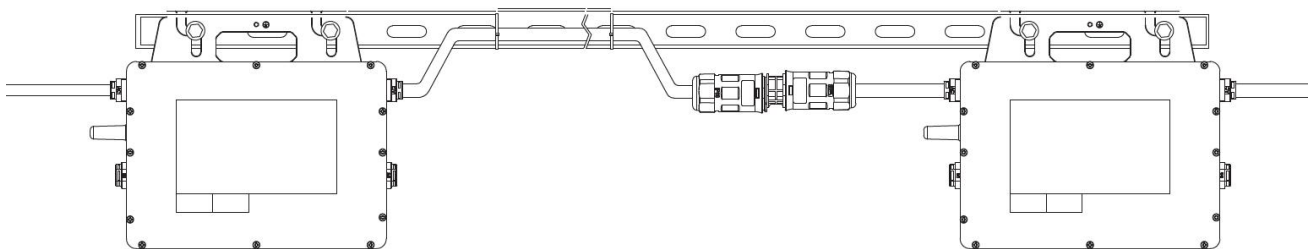
TSOL-MS400	11
TSOL-MS350	13
TSOL-MS300	15

Every micro-inverter could be connected to the other one by its AC cables.

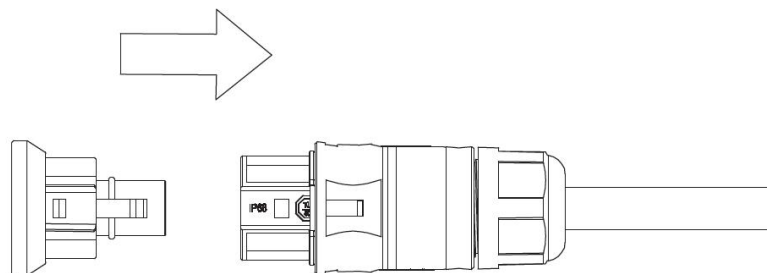
Plug the female AC connector of one microinverter into a male AC connector of another microinverter to form a continuous AC branch circuit.



Use Nylon cable ties to fix the AC cables onto the frame.



Use a Connector Protective Cap to make sure the unused AC connector to be closed.



Step 4. Connect the AC end cable of each cable section

DANGER

- Do not install the AC junction box without first removing AC power from the system.
- To prevent electrical hazards, make sure the micro-inverter system is disconnected from the home distribution network and the AC breaker is open.

WARNING

- Ensure that all AC cables are correctly wired and that none of the wires are pinched or damaged.
- Use AWG 12 (4 mm²) cable for AC end cable.

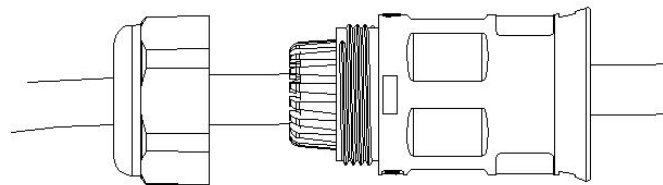
⚠ CAUTION

- The installation technician is responsible for selecting a kind of AC cable and connecting the micro-inverter system to the home distribution network correctly.
- The AC connectors may be provided by different suppliers. The port definitions are subject to actual objects.
- The AC connector and protection cap is not in the package.

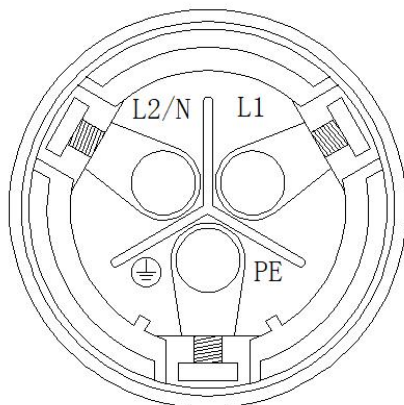
Separate the AC connector as shown below.



Get the AC cable through the shell of AC connector and connect the cable to the right port.

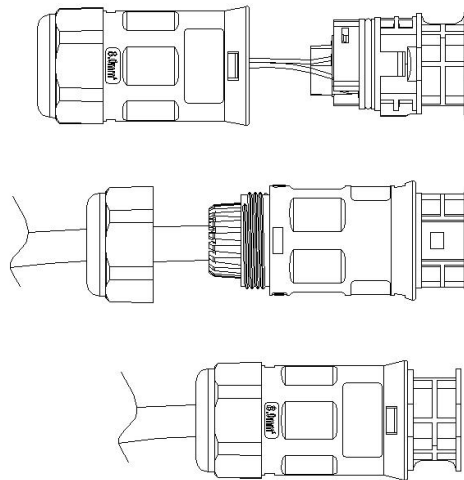


The definition of the port is shown below:

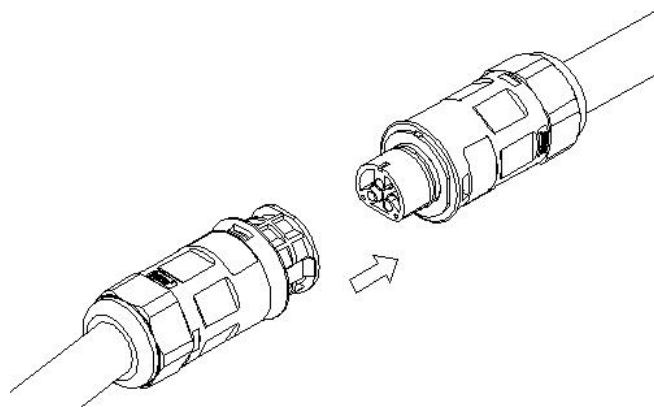


L:	Live	(Brown/Red)
N:	Neutral	(Blue/Black)
PE:	Ground	(Yellow-Green)

Reassemble the AC connector as shown below.



Plug the AC connector into the microinverter and connect the AC cable to the AC distribution box.



Step 5. Connect the DC cable

DANGER

·When the photovoltaic array is exposed to light, it provides a DC voltage to the inverter.

WARNING

·Ensure that all DC cables are correctly wired and that none of the wires are pinched or damaged.

·The maximum open circuit voltage of the PV module must not exceed the specified maximum input DC voltage of the TSOL microinverter.

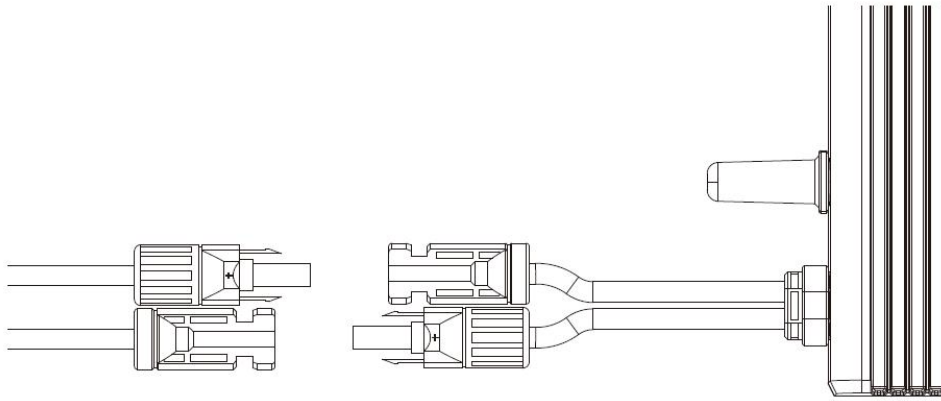
CAUTION

·If the DC cable is too short for installation, use a DC Extension Cable to connect PV modules to the microinverter.

·Use MC4 compatible DC connectors in the inverter side of the DC extension cable, or get the DC connectors from TSUN.

·Contact PV module manufacturers for the requirements of the DC connectors in the module side of DC extension cable.

Install the PV modules and connect the DC cable to the microinverter.






Step 6. Make an installation map

CAUTION

- If there is more than one installation site, please make the installation map separately and give a clear description of the installation site.
- The row of the table corresponds to the shorter side of the PV module and the column of the table corresponds to the longer side of the PV module. The direction in the upper left corner means the actual installation orientation.

Take out the SN labels and installation map from the package. Paste the SN labels on the installation map below and complete the information on the solar plant.

Customer: (Name of customer or power station)		Installation Direction: (Direction that the PV modules face to)						Installation Site: (If there are other installation sites, Use different installation map and give them different Map No.)			
											
	1	2	3	4	5	6	7	8	9	10	11
A											
B											
C											

Step 7. Start the System

DANGER

- Only qualified personnel should connect this system to the utility grid.

CAUTION

- Do not connect micro-inverters to the grid or energize the AC circuit(s) until you have completed all the installation procedures and have received prior approval from the electrical

utility company.

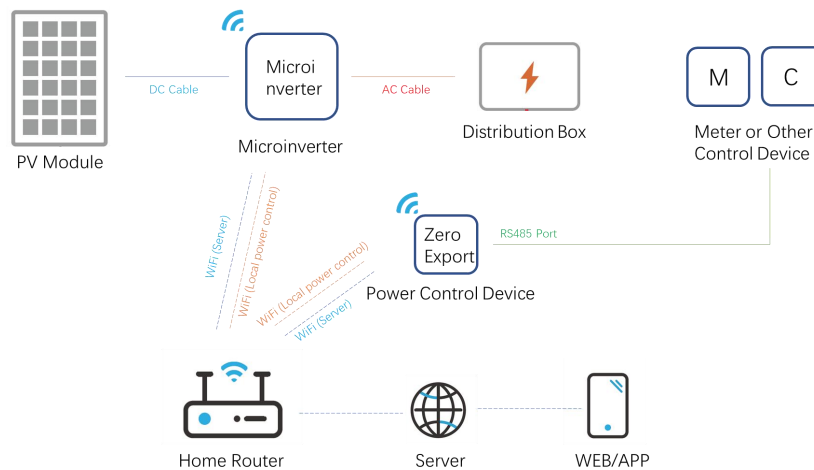
While installation is all finished, turn on the main utility-grid AC circuit breaker. Your system will start producing power after about a two-minute wait time.

The LED will flash green and red at start-up. The definition of LED is shown below.

Status	Indicates
Flashing Green (0.2-0.8s)	Working normally
Flashing Red	Working abnormally
Solid Red	Fault

Remote Active Power Control

In some countries, it might be required that the generating plants should be equipped with a logic interface (input port) to cease the output of active power or limit active power to a regulated level. This logic input can be the RS485 port, Ethernet port, and so on. TSUN microinverter provides an extra power control device that contains an RS485 port for this remote active power control. For more information, refer to the “User Manual of TSUN power control device”.



Self-Test Function for Italy

TSUN microinverter and TSUN monitoring system provide a Self-test function for the Italy market. For more information, refer to the “User Guidance of Self-test Function”.

Fault Code and Troubleshooting

Code	Fault Information	Troubleshooting
1	PV1VoltOver_Fault	Check the voltage of the PV module and make sure that the voltage is below the maximum DC input voltage of the microinverter.
2	PV2VoltOver_Fault	If this fault appears continuously, please contact the TSUN service.
3	PV1VoltLow_Fault	This warning mostly appears in the morning or at dusk. It's normal and will disappear automatically. If this warning appears in the daytime, please check the connection of the PV module.
4	PV2VoltLow_Fault	If this fault appears continuously, please contact the TSUN service.
5	PV1CurrOver_Fault	Disconnect the AC power to restart the microinverter.
6	PV2 CurrOver_Fault	If this fault appears continuously, please contact the TSUN service.
7	No Utility	The AC power grid is disconnected. Check the AC power grid. If this fault appears continuously, please contact the TSUN service.
8	GridVoltOverRating	The AC power grid is abnormal. This fault will disappear automatically when the AC power grid is normal. If this fault appears continuously, please contact the TSUN service.
9	GridVoltUnderRating	
10	GridFreqOverRating	
11	GridFreqUnderRating	
12	OverTemp	Check the installation of the microinverter. Make sure the microinverter has good heat dissipation. If this fault appears continuously, please contact the TSUN service.
13	GFDI_Fault	This is an internal fault. Disconnect the AC power to restart the microinverter. If this fault appears continuously, please contact the TSUN service.
14	Fault 01 - 08	Disconnect the AC power to restart the microinverter. If this fault appears continuously, please contact the TSUN service.

Maintenance Guide

Routine Maintenance

- ◆ Only authorized personnel are allowed to carry out the maintenance operations and are responsible for reporting any anomalies.

- ◆ Always use the personal protective equipment provided by the employer when carrying out maintenance.
- ◆ During normal operation, check that the environmental and logistic conditions are appropriate. Make sure that the conditions have not changed over time and that the equipment is not exposed to adverse weather conditions and has not been covered with foreign bodies.
- ◆ DO NOT use the equipment if any problems are found and restore the normal conditions after the fault has been corrected.
- ◆ Conduct an annual inspection on various components and clean the equipment with a vacuum cleaner or special brushes.
- ◆ Firmware version can be checked by using the monitoring system.
- ◆ Always de-energize the AC branch circuit before servicing.
- ◆ Do not attempt to dismantle the Micro-inverter or make any internal repairs! To preserve the integrity of safety and insulation, the Micro inverters are not designed to allow internal repairs!
- ◆ Maintenance operations must be carried out with the equipment disconnected from the grid (AC power switch off) and the photovoltaic modules shaded or isolated unless otherwise indicated.
- ◆ For cleaning, DO NOT use rags made of filamentary material or corrosive products that may corrode parts of the equipment or generate electrostatic charges.
- ◆ Avoid temporary repairs. All repairs should be carried out using only genuine spare parts.

Storage and Dismantling

- ◆ If the equipment is not used immediately or is stored for long periods, check whether it is correctly packed. The equipment must be stored in well-ventilated indoor areas that do not have characteristics that might damage the components of the equipment.
- ◆ Take a complete inspection when restarting after a long time or prolonged stop.
- ◆ Please dispose of the equipment properly after scrapping, as component parts are potentially harmful to the environment, following the regulations in force in the country of installation.

Recycling and Disposal

This device should not be disposed of as residential waste. A Microinverter that has reached the end of its life is not required to be returned to the dealer. Users must find an approved collection and recycling facility in the area.

Warranty Service

This Warranty is subject to the following conditions:

- ◆ The products must have been installed and correctly commissioned by an authorized and licensed installer. Proof may be required of correct commissioning of the Product (such as a certificate of compliance). Claims for failures due to incorrect installation or commissioning are not covered under this Warranty.
- ◆ Where a Product or part thereof is replaced or repaired under this Warranty, the balance of the

original Warranty period will apply. The replacement product or part(s) do not carry a new voluntary warranty.

- ◆ The product must have its original serial number and rating labels intact and readable.
- ◆ This Warranty does not extend to any product that has been completely or partially disassembled or modified, except where such disassembly is carried out by TSUNESS
- ◆ The terms of this Warranty cannot be amended except in writing by one of our authorized officers.
- ◆ There must have been a commissioning report signed by the end user and the installer for product commissioning and handling instructions.

Exclusions

(a) TSUNESS makes no warranties, either expressed or implied, orally, or in writing, concerning any other warranty coverage except those expressly stated in this limited Factory Warranty.

(b) The Factory Warranty does not cover damages that occur due to:

- Transport damage;
- Installation or commissioning through any person who is not an Authorized, Certified Dealer;
- Failure to observe the user manual, maintenance regulations, and intervals;
- Modifications, changes, or attempted repairs, except as conducted by an Authorized Dealer;
- Incorrect use or inappropriate operation;
- Insufficient ventilation of the Covered Product;
- Failure to observe the applicable safety regulations;
- Force majeure.

(c) This factory warranty does not cover cosmetic defects which do not directly influence energy production, or degrade form, fit, and function.

(d) Claims that go beyond the scope of this limited Factory Warranty, in particular claims for compensation for direct or indirect damages arising from the defective device, for compensation for costs arising from disassembly and installation, or loss of profits, are expressly NOT covered by this Factory Warranty.

(e) In no event will TSUNESS Co., Ltd be held responsible or liable for any personal injuries resulting from the use of the system, or for any other damages, whether direct, indirect, incidental, or consequential; even if TSUNESS Co., Ltd has been advised of such damages.

Distributor Responsibility

In the event of an equipment failure or fault, it is the Distributor's responsibility to work directly with the TSUNESS Service Centre to limit the return of non-faulty equipment. TSUNESS Service Centre will work with the Distributor to rectify the fault or fault message through telephone support or with direct PC links. Note: To qualify for further compensation and a replacement unit, the distributor/installer must first contact TSUNESS and fulfill the distributor's /installer's responsibilities under instruction.

Within the warranty period of the microinverter, the invoice and date of purchase are required for warranty service. Besides, the trademark on the product should be visible, otherwise the warranty will be void.

More information can be found in TSUN Warranty Policy.



Manual do usuário

TSOL-MS2000

Marcas Registradas e Permissões

TSUN e outras marcas registradas da TSUNESS, são marcas registradas da TSUNESS Co., Ltd. Todas as outras marcas registradas e nomes comerciais mencionados neste documento, são propriedade de seus respectivos Titulares.

A TSUNESS Co., Ltd não tem representações, expressas ou implícitas, com relação a esta documentação ou qualquer equipamento e/ou software que ela possa descrever, incluindo (sem limitação) quaisquer garantias implícitas de utilidade, comercialização ou adequação para qualquer finalidade específica.

Todas essas garantias são expressamente rejeitadas. Nem a TSUNESS, nem seus distribuidores ou revendedores, serão responsáveis por quaisquer danos indiretos, incidentais ou consequenciais sob quaisquer circunstâncias. (A exclusão de garantias implícitas pode não se aplicar em todos os casos sob alguns estatutos e, portanto, a exclusão acima pode não se aplicar.)

As especificações estão sujeitas a alterações sem aviso prévio. Foram aplicados todos os esforços para tornar este documento completo, preciso e atualizado. Os leitores são avisados, no entanto, que a TSUNESS reserva-se o direito de fazer alterações sem aviso prévio, não sendo responsável por quaisquer danos, incluindo danos indiretos, incidentais ou consequenciais, causados pela confiança no material apresentado, incluindo mas não limitando, a omissões, erros tipográficos, erros aritméticos ou erros de listagem no conteúdo.

Todas as marcas registradas são reconhecidas, mesmo que não sejam destacadas separadamente. A falta de designações não significa que um produto ou marca não seja uma marca registrada. Todas as marcas registradas são reconhecidas como propriedade de seus respectivos Proprietários.

As informações do produto estão sujeitas a alterações sem aviso prévio. A Documentação do Usuário é atualizada frequentemente; Verifique em www.tsun-ess.com para obter as informações atualizadas. Para garantir a confiabilidade ideal e atender aos requisitos de garantia, o microinversor TSUN deve ser instalado de acordo com as instruções deste Manual. Para obter o Texto da Garantia, consulte www.tsun-ess.com.

© 2022 TSUNESS Co., Ltd Todos os direitos reservados.

Público

Este manual, destina-se ao uso por Profissionais de Instalação e Manutenção

Conteúdo

Marcas Registradas e Permissões	28
Público	28
Conteúdo	29
Leia isto Primeiro	30
Informações Importantes sobre Segurança	30
Etiqueta do Produto	30
Introdução ao Sistema	31
Descrição do Produto	33
Datasheet	33
Instalação do Microinversor	35
Verificação de pré-instalação	35
Etapas de instalação	36
Controle remoto de energia ativa	42
Função de Autoteste para a Itália	42
Código de falha e solução de problemas	42
Guia de manutenção	43
Rotina de Manutenção	43
Armazenamento e Desmontagem	44
Reciclagem e Descarte	44
Serviço de Garantia	44
Exceções	45
Responsabilidade do Distribuidor	45

Leia isto Primeiro

Prezado cliente, obrigado por escolher o microinversor série G3&G3 Plus da TSUN.

Queremos que você saiba que os nossos produtos atendem às suas necessidades de energia renovável.

Agradecemos seus comentários sobre nossos produtos.

Um Microinversor solar, ou simplesmente Microinversor, é um dispositivo plug-and-play usado em energia fotovoltaica, que converte corrente contínua (DC) gerada por um único módulo solar em corrente alternada (AC). A principal vantagem é que em pequenas áreas de sombra, detritos ou camadas de neve em qualquer módulo solar, ou mesmo uma falha completa do módulo, não reduzem desproporcionalmente a produção de todo o conjunto. Cada Microinversor obtém potência ideal realizando rastreamento do ponto de potência máxima (MPPT) para seu módulo conectado. Simplicidade no projeto do sistema, fios com menor amperagem, gerenciamento simplificado de estoque e segurança adicional são outros fatores introduzidos com a solução de Microinversor.




Este Manual, contém instruções importantes para os Microinversores e deve ser lido na íntegra antes da instalação ou comissionamento do equipamento. Por segurança, apenas Técnicos qualificados, que receberam treinamento ou demonstrem habilidades, podem instalar e manter este Microinversor sob as orientações deste documento.

Informações Importantes sobre Segurança











Durante a instalação, teste e inspeção, é OBRIGATÓRIO seguir todas as instruções de manuseio e segurança. Não fazer isso, pode resultar em ferimentos, morte e danos ao equipamento.

Etiqueta do Produto

Os seguintes símbolos de segurança, são usados neste documento. Familiarize-se com eles e seu significado, antes de instalar ou operar o sistema.

 DANGER
· indica uma situação perigosa que pode resultar em risco de choque elétrico mortal, outros ferimentos físicos graves, ou risco de incêndio.
 WARNING
· indica instruções que devem ser totalmente compreendidas e seguidas na íntegra, para evitar riscos potenciais à segurança, incluindo danos ao equipamento ou ferimentos pessoais.
 CAUTION
· indica que a operação descrita não deve ser realizada. O leitor deve parar de usar e compreender totalmente as operações explicadas, antes de prosseguir.

Os Símbolos no Microinversor, estão listados e ilustrados abaixo, em detalhes:

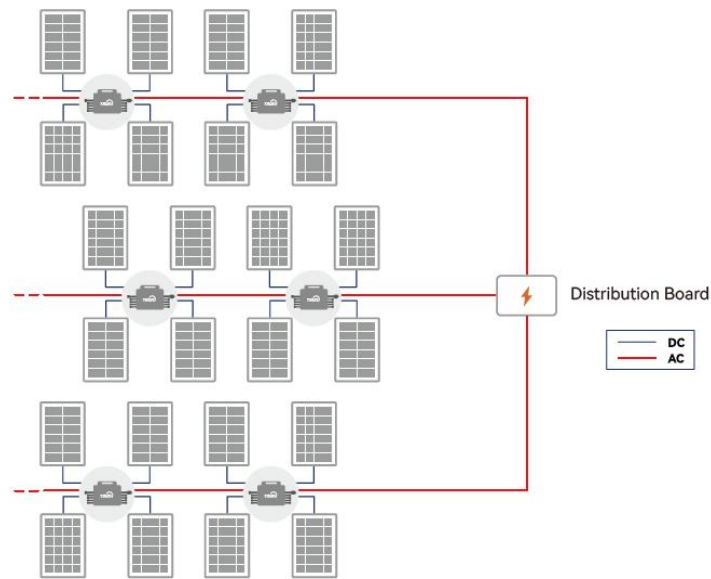
Símbolo	Descrição
	Este dispositivo está diretamente conectado à rede pública, portanto, todos os trabalhos no Inversor devem ser realizados apenas por pessoal qualificado.
	Os componentes dentro do Inversor irão liberar muito calor durante a operação. Não toque na carcaça da placa metálica, durante a operação.
	Leia o manual de instalação antes da instalação, operação e manutenção.
	A remoção não autorizada das proteções necessárias, o uso impróprio, a instalação e operação incorretas, podem causar sérios riscos de segurança e choque ou danos ao equipamento.
	Este dispositivo precisa ser desconectado e deixado em repouso por pelo menos 5 minutos, antes da tampa ser aberta.
	
	Este dispositivo NÃO DEVE ser descartado em lixo residencial.
	Este dispositivo atende aos requisitos da Diretiva de Equipamentos de Telecomunicações.
RoHS	Este dispositivo está em conformidade com a Diretiva RoHS.
	Este dispositivo atende às exigências do INMETRO.
	Este aparelho atende aos requisitos da ANATEL. O número do Certificado é 11057-23-15833.

Introdução ao Sistema

O Microinversor G3&G3 Plus é utilizado em aplicações ligadas à rede e é composto por dois elementos principais:

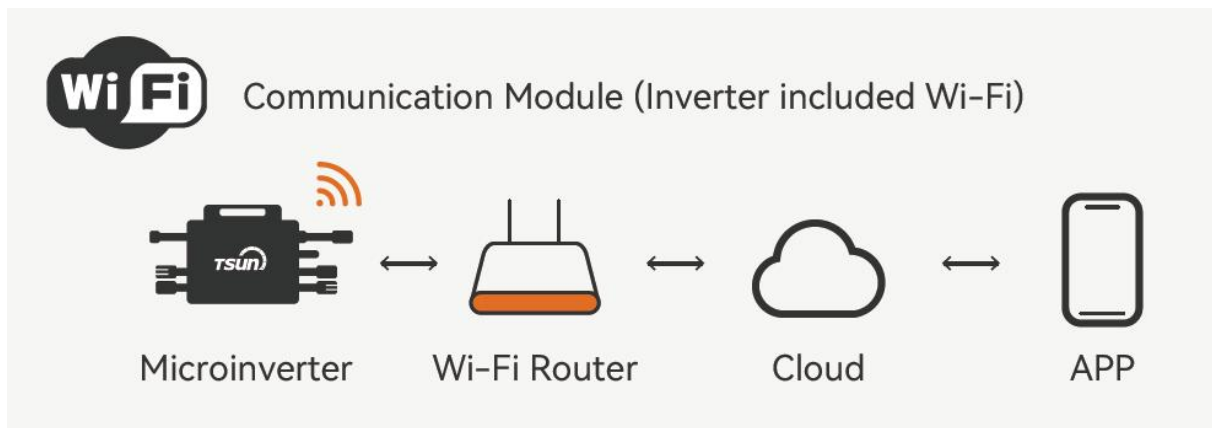
- G3&G3 Plus Microinversor.
- TSUN Sistema de Monitoramento.

O Microinversor converte a eletricidade CC gerada pelos Painéis Solares, em eletricidade CA que está de acordo com os requisitos da rede pública e envia a CA para a rede, reduzindo a pressão de carga da mesma.

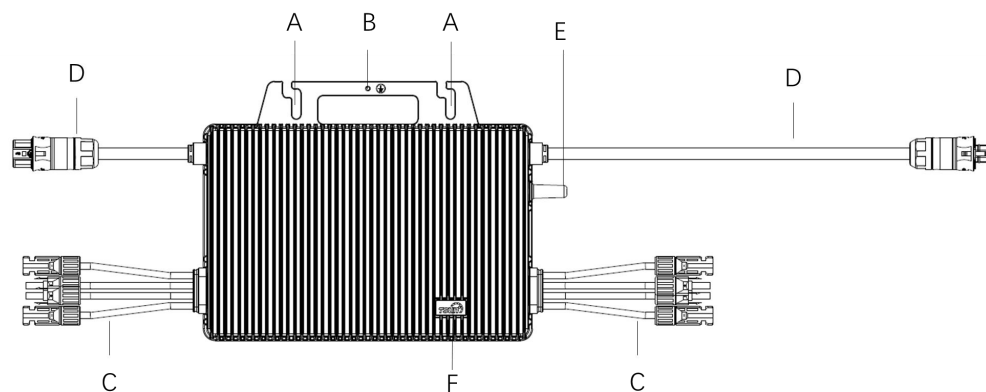


TSOL-MS2000

O Microinversor é integrado ao módulo Wi-Fi e se conecta diretamente ao roteador Wi-Fi doméstico. Os usuários podem monitorar a geração de energia do sistema pelo aplicativo TSUN Monitoring.



Descrição do Produto



TSOL-MS2000

A	Encaixe de Montagem	D	Cabo AC
B	Orifício de Aterramento	E	Antena
C	Cabos DC	F	Luz de Status

Datasheet

Modelos	TSOL-MS2000
Dado de Entrada (DC)	
Potência recomendada do Módulo (W)	300 - 700+
Tensão de Partida (V)	22
Tensão de entrada nominal (V)	42
MPPT Faixa de tensão por entrada (V)	16~60
Máx. Tensão de entrada (V)	60
Máx. Corrente de curto-circuito por entrada (A)	25
Máx. Corrente de entrada (A)	16
Quantidade de MPPT	4
Máx. Corrente de retroalimentação do Inversor para o arranjo (A)	0
Dados de saída (AC)	
Máx. Potência de saída (VA)	2000
Potência nominal de saída contínua (W)	2000
Corrente de saída nominal (A)	8.7
Máx. Corrente de saída (A)	10
Corrente de partida (A)	15
Máx. Corrente de falha de saída (A)	40
Máx. Proteção de sobrecorrente de saída (A)	18
Tensão/faixa nominal de saída (V)*	220/230/240, 175 – 270, L/N/PE

Frequência Nominal (Hz)*	50/60
Fator de Potência	>0.99 padrão, 0.8 indutivo ... 0.8 capacitivo
Distorção Harmônica de Corrente de Saída	<3%
Eficiência	
Eficiência máxima do Inversor	96.7%
Eficiência ponderada CEC	96.5%
Eficiência nominal de MPPT	99.9%
Consumo de energia noturno	<50mW
Proteção	
Proteção anti-ilhamento	Integrada
Monitoramento de isolamento	Integrado
Proteção contra sobretensão CA	TYPE II
Proteção contra sobrecorrente CA	Integrada
Proteção contra curto-circuito CA	Integrada
Proteção contra sobretensão CA	Integrada
Proteção contra o super aquecimento	Integrada
Dados Mecânicos	
Dimensões (LxAxC mm)	331 * 261 * 44
Peso [Kg]	5.5
Dados Gerais	
Display	Indicadores de LED ; TSUN APP+WEB
Comunicação	Módulo WiFi integrado
Tipo de Isolamento	Transformador HF isolado galvanicamente
Grau de Proteção do Gabinete	IP67
Classe de Proteção	I
Resfriamento	Convecção natural
Faixa de temperatura operacional do local	-40 ~ +65 (redução de potência na temperatura ambiente superior a 50°C)
Umidade Relativa	100%
Máx. altura operacional sem redução de capacidade [m]	2000
Padrão WiFi	802.11b/g/n
Faixa de Frequência WiFi	2.412GHz-2.472GHz
Energia de Transmissão WiFi	802.11b: +17dBm + 1.5dBm (@11Mbps)
	802.11g:+15dBm + 1.5dBm(@54Mbps)
	802.11n: +14dBm + 1.5dBm(@HT20, MCS7)
Sensibilidade de Recepção WiFi	802.11b:-96dBm(@1Mbps)
	802.11b:-89dBm(@11Mbps)
	802.11g:-91dBm(@6Mbps)
	802.11g:-76dBm(@54Mbps)

	802.11n:-91dBm(@MCS0)
	802.11n:-73dBm(@MCS7)
Norma BLE	BLE5.0
Faixa de frequência BLE	2.402GHz-2.480GHz
BLE Potência de Transmissão	Max 15dBm
BLE Sensibilidade Recebida	-97 dBm

※ A tensão CA e a faixa de frequência podem variar dependendo da rede específica do país.

A TSUNESS Co., Ltd declara que o equipamento de rádio (Micro inversor) está em conformidade com a Diretiva 2014/53/EU. O texto integral da declaração UE de conformidade está disponível no seguinte endereço Internet: [https://www.tsun-ess.com/File/\\$random-2023-07-03-091204-@2a\\$-97Z](https://www.tsun-ess.com/File/$random-2023-07-03-091204-@2a$-97Z)

Instalação do Microinversor

Verificação de pré-instalação

Verificação da Embalagem


Embora os Microinversores da TSUN tenham passado por testes rigorosos e sejam verificados antes de saírem da fábrica, é pouco provável que eles possam sofrer danos durante o transporte. Verifique se há sinais óbvios de danos na embalagem e, se tal evidência estiver presente, não a abra e entre em contato com seu Revendedor o mais rápido possível.

Verifique o local e a posição de instalação




Ao escolher a posição de instalação, observe as seguintes condições:

- ◆ Para evitar redução de potência indesejada devido a um aumento na temperatura interna do Inversor, não o exponha à luz solar direta.
- ◆ Para evitar superaquecimento, certifique-se sempre de que o fluxo de ar ao redor do Inversor não esteja bloqueado.
- ◆ Não instale em locais onde possam estar presentes gases, ou substâncias inflamáveis.
- ◆ Evite interferências eletromagnéticas que possam comprometer o correto funcionamento dos equipamentos eletrônicos.
- ◆ Recomenda-se a instalação de Microinversores nas estruturas, abaixo dos módulos fotovoltaicos para que funcionem à sombra sem tocar no telhado. Use um telefone celular para verificar a intensidade do sinal Wi-Fi na posição de instalação do Microinversor. Se o sinal Wi-Fi estiver fraco, tente instalar o Microinversor em um outro local com sinal melhor, ou aproxime o Roteador ou repetidor Wi-Fi.

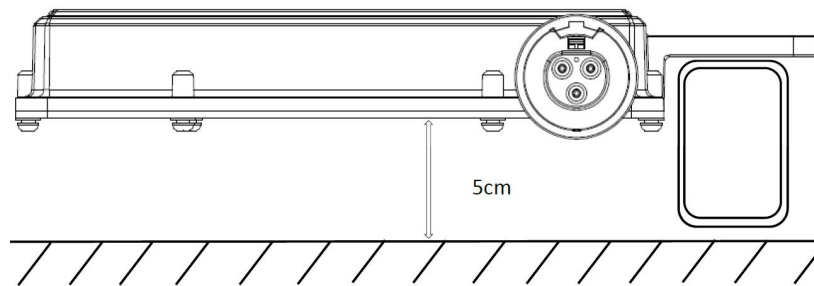
Etapas de instalação

 DANGER
<ul style="list-style-type: none"> • Somente pessoal qualificado deve instalar, solucionar problemas ou substituir os Microinversores G3 Plus, o cabo e os acessórios. • Antes da instalação, verifique a unidade para garantir a ausência de quaisquer danos de transporte ou manuseio, que possam afetar a integridade do isolamento ou as distâncias de segurança. • A remoção não autorizada das proteções necessárias, o uso impróprio, a instalação e operação incorretas, podem levar a sérios problemas de segurança e riscos de choque ou danos ao equipamento. • Esteja ciente de que a instalação deste equipamento inclui o risco de choque elétrico.

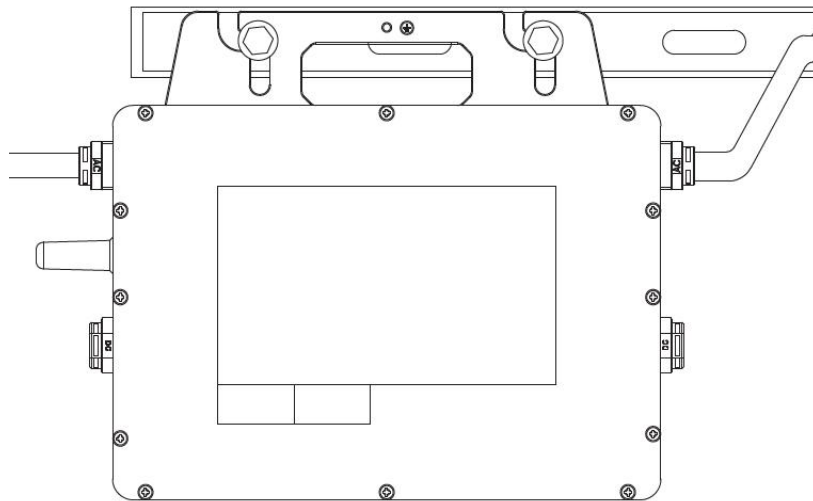
Passo 1. Conserte o Microinversor.

 DANGER				
<ul style="list-style-type: none"> • Não instale o equipamento em condições ambientais adversas, como inflamáveis, explosivas, corrosivas, temperaturas extremamente altas ou baixas e úmidas. 				
 WARNING				
<ul style="list-style-type: none"> • Escolha o local de instalação com cuidado e cumpra os requisitos de refrigeração especificados. O Microinversor deve ser instalado em uma posição adequada, com boa ventilação e sem luz solar direta. 				
 CAUTION				
<ul style="list-style-type: none"> • Não há parafusos e porcas na embalagem. • A distância entre cada dois micro-inversores deve atender ao comprimento dos cabos CA. O comprimento dos cabos CA é mostrado abaixo: <table border="1" data-bbox="220 1384 1353 1507"> <thead> <tr> <th>Modelo</th> <th>Comprimento do cabo</th> </tr> </thead> <tbody> <tr> <td>TSOL-MS2000</td> <td>2.5 m</td> </tr> </tbody> </table>	Modelo	Comprimento do cabo	TSOL-MS2000	2.5 m
Modelo	Comprimento do cabo			
TSOL-MS2000	2.5 m			
<ul style="list-style-type: none"> · Por favor, use seu telefone celular para verificar a intensidade do sinal WiFi no local de instalação, garantindo que o sinal WiFi seja pelo menos duas barras. Se o sinal WiFi não for bom, tente instalar o mini inversor em outro local ou mover o roteador WiFi. 				

Dica: Um espaço de 5cm precisa ser deixado entre o microinversor e o telhado para garantir sua dissipação de calor.



Escolha a melhor posição de instalação. Utilize dois pares de parafusos e porcas para fixar o Microinversor na estrutura. Certifique-se de que a etiqueta do Microinversor esteja voltada para cima.

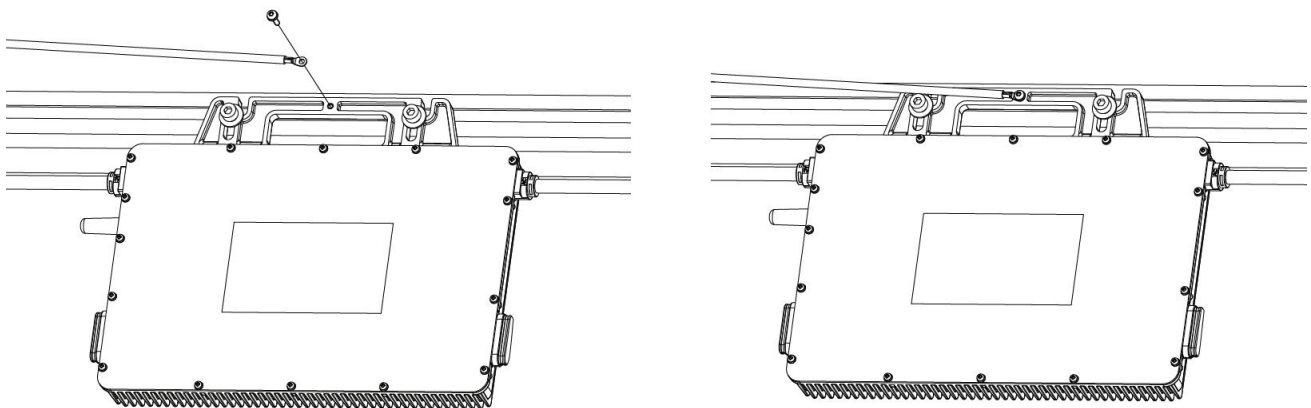


Passo 2. Conecte o Cabo de aterramento

WARNING

- Certifique-se de que todos os Microinversores estejam bem aterrados.
- Use o parafuso M6 para a porta de aterramento.

Conecte o cabo de aterramento ao invólucro do Microinversor.



Passo 3. Conecte o cabo AC de dois Microinversores

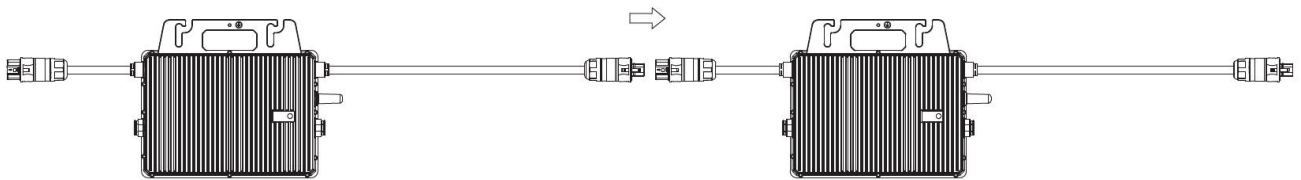
⚠ WARNING

· De acordo com a corrente máxima dos cabos AC, existe uma quantidade limite de instalação do Microinversor em cada seção de cabo.

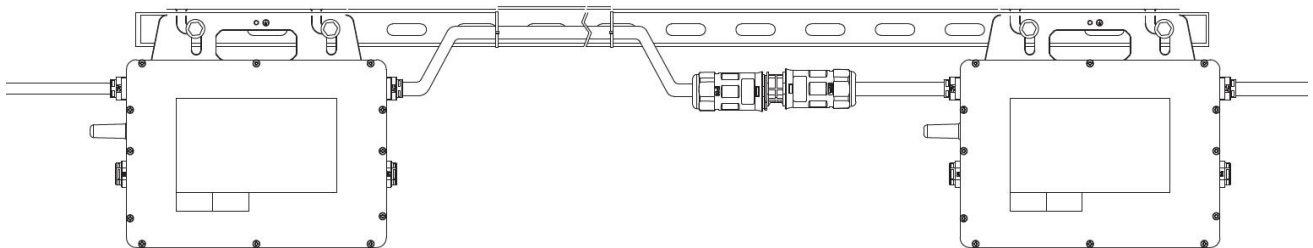
Modelos	Quant. para cada seção de cabo.
TSOL-MS2000	2

Cada Microinversor pode ser conectado a um outro, por meio de seus cabos AC.

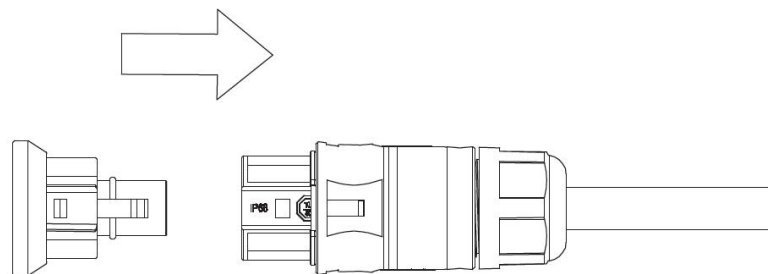
Conecte o conector AC fêmea de um Microinversor, em um conector AC macho de outro Microinversor, para formar um circuito derivado AC contínuo.



Use abraçadeiras de nylon para fixar os cabos AC na estrutura..



Use uma tampa protetora, para garantir que um conector AC não utilizado, esteja fechado.



Passo 4. Conecte o cabo final CA a cada seção do cabo

⚡ DANGER

• Não instale a Caixa de Junção AC, sem primeiro remover a alimentação AC do sistema.

•Para evitar choques elétricos, certifique-se de que o sistema Microinversor esteja desconectado da rede de distribuição doméstica e que o disjuntor AC esteja aberto.

⚠ WARNING

•Certifique-se de que todos os cabos AC estejam conectados corretamente e que nenhum dos fios esteja comprimido ou danificado.

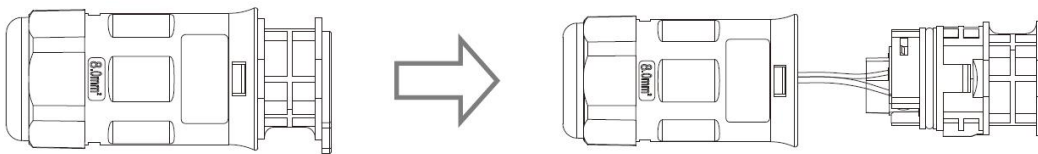
•Use cabo AWG 12 (4 mm²) para cabo final AC.

⚠ CAUTION

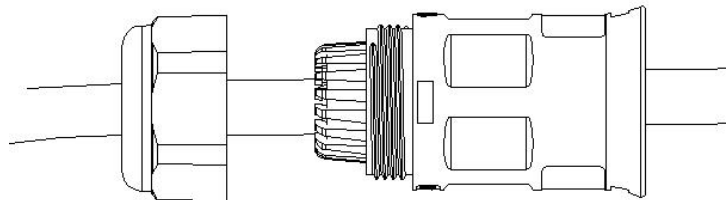
•O Técnico instalador é responsável por selecionar um tipo de cabo AC e conectar corretamente o sistema Microinversor à rede de distribuição doméstica.

•Os conectores AC podem ser fornecidos por diferentes fornecedores. As definições de porta estão sujeitas às características dos objetos presentes.

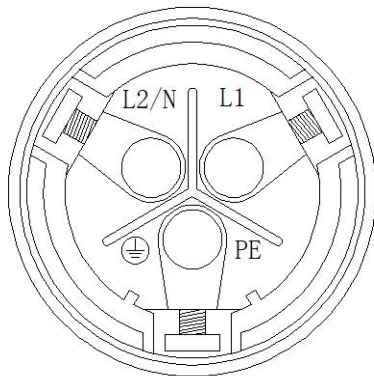
Retire o conector AC da embalagem. Separe-o conforme mostrado abaixo.



Passo o cabo AC pela carcaça do conector AC e o conecte à porta correta.

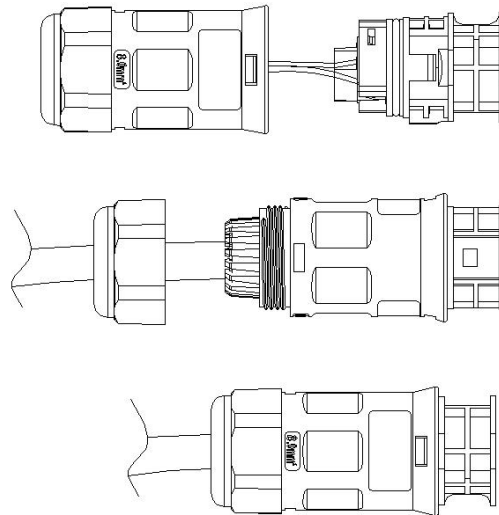


A definição da porta é mostrada abaixo:

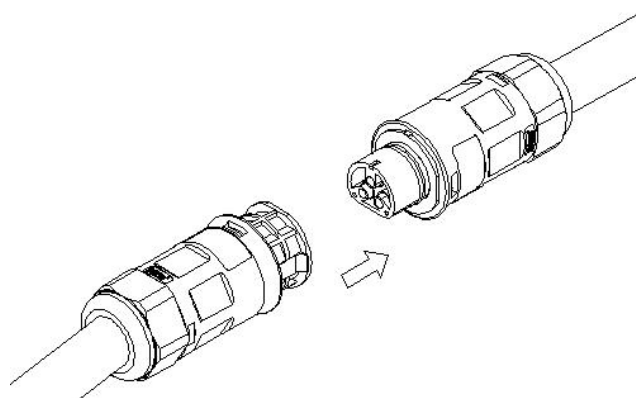


L:	Live/ Vivo	(Brown/Red – Marron/Vermelho)
N:	Neutral/ Neutro	(Blue/Black – Azul/ Preto)
PE:	Ground/ Terra	(Yellow/Green – Amarelo/ Verde)

Remonte o conector AC conforme mostrado abaixo.



Conecte o conector AC ao Microinversor e conecte o cabo AC à caixa de distribuição AC.



Passo 5. Conecte o cabo DC

DANGER

• Quando os painéis fotovoltaicos são expostos à luz, eles fornecem uma tensão DC ao Inversor.

WARNING

· Certifique-se de que todos os cabos DC estejam conectados corretamente e que nenhum dos fios esteja comprimido ou danificado.

• A tensão máxima de circuito aberto do Módulo Fotovoltaico, não deve exceder a tensão DC de entrada máxima especificada do Microinversor.

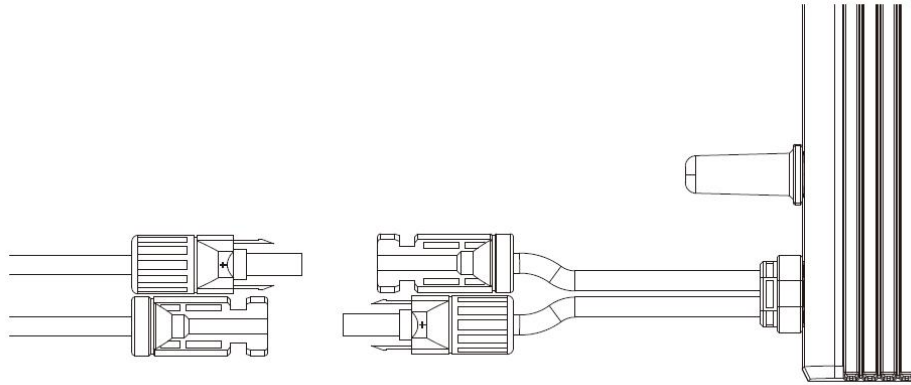
CAUTION

• Se o cabo DC for muito curto para instalação, use um cabo de extensão DC para conectar os Módulos Fotovoltaicos ao Microinversor.

• Use conectores DC compatíveis com MC4 no lado do Inversor do cabo de extensão DC ou obtenha os conectores DC da TSUN.

• Entre em contato com os fabricantes de Módulos Fotovoltaicos para obter os detalhes dos conectores DC, no lado do Módulo do cabo de extensão DC.

Instale os Módulos Fotovoltaicos e conecte o cabo DC ao Microinversor.

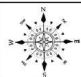




Passo 6. Faça um mapa ou desenho da Instalação

CAUTION

- Se houver mais de um local de instalação, faça um mapa ou desenho de instalação separadamente e forneça uma descrição clara do local.
- A linha horizontal da Tabela, corresponde ao lado mais curto do Módulo Fotovoltaico e a coluna da Tabela, corresponde ao lado mais longo do Módulo Fotovoltaico. A direção no canto superior esquerdo, significa a orientação real da instalação.

Retire as etiquetas SN e o mapa de instalação da embalagem. Cole as etiquetas SN no mapa de instalação abaixo e preencha as informações da usina solar.

Customer: (Name of customer or power station)				Installation Direction: (Direction that the PV modules face to)		Installation Site: (If there are other installation sites, Use different installation map and give them different Map No.)					
	1	2	3	4	5	6	7	8	9	10	11
A											
B											
C											

Passo 7. Inicie o Sistema

DANGER

- Somente Pessoal qualificado deve conectar este sistema à rede elétrica.

CAUTION

- Não conecte o(s) Microinversor(es) à rede, nem energize o(s) circuito(s) AC até que você tenha concluído todos os procedimentos de instalação e tenha recebido aprovação prévia da

Concessionária de energia elétrica.

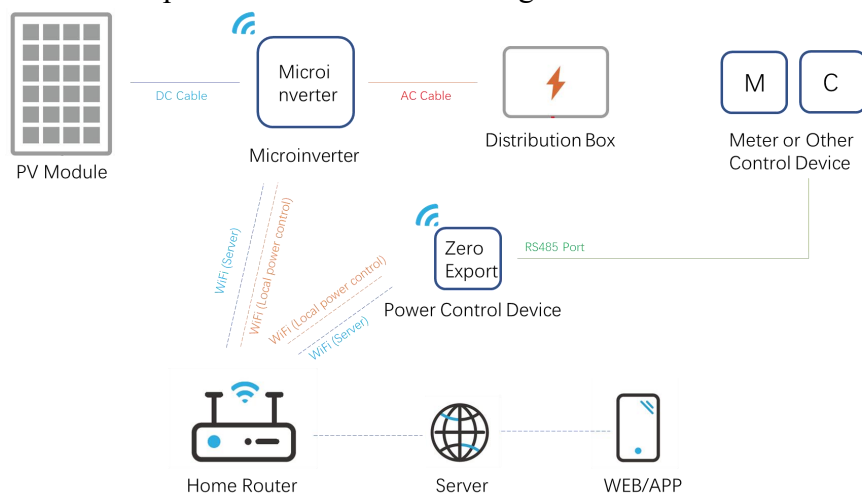
Quando a instalação estiver concluída, ligue o disjuntor AC da rede elétrica principal. Seu sistema começará a produzir energia, após um tempo de cerca de dois minutos.

O LED piscará em Verde e Vermelho na inicialização. A definição do LED é mostrada abaixo:

Status	Indicação
Verde piscando (0.2-0.8s)	Funcionando Normalmente
Vermelho piscando	Trabalhando de forma Anormal
Vermelho contínuo	Defeito

Controle remoto de energia ativa

Em alguns países, poderá ser necessário que as centrais geradoras estejam equipadas com uma interface lógica (porta de entrada) para cessar a produção de potência ativa, ou limitar a potência ativa a um nível regulamentado. Esta entrada lógica pode ser a porta RS485, porta Ethernet e assim por diante. O Microinversor TSUN fornece um dispositivo de controle de potência extra que contém uma porta RS485 para este controle remoto de potência ativa. Para obter mais informações, consulte o “Manual do usuário do dispositivo de controle de energia TSUN”.



Função de Autoteste para a Itália

O Microinversor TSUN e o Sistema de Monitoramento TSUN, fornecem uma função de Autoteste para o mercado Italiano. Para obter mais informações, consulte “Orientações do usuário sobre a função de Autoteste”.

Código de falha e solução de problemas

c	Informação de Falha	Solução de problemas
---	---------------------	----------------------

1	Sobretensão de entrada PV	1) Verifique a tensão de saída do Módulo Fotovoltaico para garantir que esteja dentro da faixa exigida. 2) Se a falha persistir, verifique no local.
2	Baixa Tensão de Entrada PV	É normal ocorrer de manhã e à noite. Caso ocorra durante o dia, dirija-se ao local e verifique as ligações dos Módulos Fotovoltaicos para garantir que a conexão esteja normal.
3	Sobretensão CA	1) A rede elétrica flutua de forma anormal e irá se recuperar automaticamente, após um período de tempo. 2) Se a falha persistir, verifique o ajuste da proteção. 3) Se a falha permanecer da mesma maneira, verifique no local.
4	Subtensão CA	
5	Sobrefrequência AC	
6	Subfrequência CA	
7	Acima da temperatura	1) Verifique o ambiente de instalação, para garantir a dissipação de calor. 2) Se a falha persistir, entre em contato com a TSUN.
8	Fora de Serviço	1) Verifique a fiação CA na caixa de distribuição ou tomada. 2) Verifique a conexão e os cabos do conector CA. 3) Se a falha persistir, entre em contato com a TSUN.
9	Falha 09	Se a falha se mantiver o tempo todo, entre em contato com a TSUN.
10	Falha 10	Se a falha se mantiver o tempo todo, entre em contato com a TSUN.
11	Falha 11	Confira no site. Meça a tensão entre PV+ e o terra, bem como a tensão entre PV- e o terra. Se os dois valores forem iguais, verifique a conexão do sistema. Se os dois valores forem diferentes, tente substituir por um novo Microinversor e teste novamente.
12	Falha 12-19	Se a falha persistir o tempo todo, entre em contato com a TSUN.

Guia de manutenção

Rotina de Manutenção

- ◆ Somente Pessoal autorizado, pode realizar as operações de manutenção e ser responsável por reportar quaisquer anomalias.
- ◆ Utilize sempre o equipamento de proteção individual fornecido pelo empregador, ao realizar a manutenção.
- ◆ Durante a operação normal, verifique se as condições ambientais e logísticas estão adequadas. Certifique-se de que as condições não tenham mudado ao longo do tempo e que o equipamento não esteja exposto à condições climáticas adversas e não tenha sido coberto por corpos estranhos.
- ◆ NÃO utilize o equipamento se algum problema for encontrado e restaure as condições normais após a falha ter sido corrigida.

- ◆ Realize uma inspeção anual em vários componentes e limpe o equipamento com aspirador de pó ou escovas especiais.
- ◆ A versão do Firmware pode ser verificada, usando o sistema de monitoramento.
- ◆ Sempre desenergize o circuito derivado CA, antes de fazer manutenção.
- ◆ Não tente desmontar o Microinversor ou fazer qualquer reparo interno! Para preservar a integridade de segurança e de isolamento, os Microinversores não foram projetados para permitir reparos internos!
- ◆ As operações de manutenção devem ser realizadas com o equipamento desconectado da rede (energia CA desligada) e os Módulos Fotovoltaicos à sombra ou isolados, salvo indicação em contrário.
- ◆ Para a limpeza, NÃO utilize panos de material filamentosos ou produtos corrosivos que possam atacar partes do equipamento ou gerar cargas eletrostáticas.
- ◆ Evite reparos temporários. Todos os reparos devem ser realizados, utilizando-se apenas peças sobressalentes originais.

Armazenamento e Desmontagem

- ◆ Se o equipamento não for utilizado imediatamente, ou for armazenado por longo período, verifique se está embalado corretamente. O equipamento deve ser armazenado em áreas internas bem ventiladas e que não possuam fatores que possam danificar os seus componentes.
- ◆ Faça uma inspeção completa ao reiniciar, após um longo período, ou parada prolongada.
- ◆ Descarte o equipamento adequadamente, pois os componentes são potencialmente prejudiciais ao meio ambiente, de acordo com os regulamentos em vigor no país de instalação.

Reciclagem e Descarte

Este dispositivo não deve ser descartado como lixo residencial. Um Microinversor que atingiu o fim de sua vida útil não precisa ser devolvido ao revendedor. Os usuários devem encontrar um centro de coleta e reciclagem autorizado, na região.

Serviço de Garantia

Esta Garantia está sujeita às seguintes condições:

- ◆ Os produtos devem ter sido instalados e comissionados corretamente por um Instalador autorizado e licenciado. Pode ser exigida a prova do comissionamento correto do Produto (como um certificado de conformidade). Reclamações por falhas, devido à instalação ou comissionamento incorreto não são cobertas por esta garantia.
- ◆ Quando um Produto, ou parte dele, for substituído ou reparado sob esta Garantia, o saldo do período de Garantia original será aplicado. O produto ou peça(s) de substituição não possuem uma nova garantia voluntária.
- ◆ O produto deve ter o número de série original e as etiquetas de classificação intactas e legíveis.
- ◆ Esta Garantia não se estende a nenhum produto que tenha sido total, parcialmente desmontado

ou modificado, exceto quando tal desmontagem for realizada pela TSUNESS.

- ◆ Os termos desta Garantia não podem ser alterados, exceto por escrito, por um de nossos representantes autorizados.
- ◆ Deve haver um relatório de comissionamento assinado pelo usuário final e pelo Instalador, para as devidas instruções de comissionamento e manuseio do produto.

Exceções

(a) A TSUNESS não oferece garantias, expressas ou implícitas, oralmente ou por escrito, com relação a qualquer outra cobertura de garantia, exceto aquelas expressamente declaradas nesta Garantia limitada de fábrica.

(b) A Garantia de Fábrica não cobre danos que ocorram devido a:

- Danos de transporte;
- Instalação ou comissionamento por qualquer pessoa que não seja um Revendedor Autorizado Certificado.
- Não observância do Manual do usuário, regulamentos de manutenção e intervalos;
- Modificações, alterações ou tentativas de reparo, exceto quando conduzidas por um Revendedor Autorizado;
- Uso incorreto ou operação inadequada;
- Ventilação insuficiente do Produto enquanto embalado.
- O não cumprimento das normas de segurança aplicáveis.
- Força maior – eventos imprevisíveis.

(c) Esta garantia de fábrica não cobre defeitos cosméticos (arranhões, amassados, manchas) que não influenciem diretamente na produção de energia ou que degradem a forma, o ajuste e a função.

(d) Reclamações que vão além do escopo desta Garantia Limitada de Fábrica, em particular, reclamações de indenização por danos diretos ou indiretos decorrentes do dispositivo defeituoso, de indenização por custos decorrentes de desmontagem e instalação, ou lucros cessantes, NÃO são expressamente cobertas por esta Garantia de Fábrica.

(e) Em nenhum caso a TSUNESS Co., Ltd será responsabilizada por quaisquer danos pessoais resultantes do uso do sistema, ou por quaisquer outros danos, sejam diretos, indiretos, incidentais ou consequenciais, mesmo que a TSUNESS Co., Ltd tenha sido avisada de tais danos.

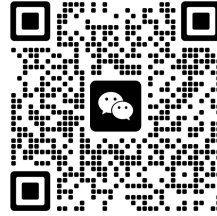
Responsabilidade do Distribuidor

Em caso de falha, ou falha do equipamento, é responsabilidade do Distribuidor trabalhar diretamente com o Centro de Atendimento TSUNESS para evitar a devolução de equipamentos não defeituosos. O Centro de Serviços TSUNESS trabalhará com o Distribuidor, para retificar a falha ou mensagem de falha, através de suporte telefônico ou com links diretos via Internet. Nota: Para se qualificar em compensação adicional para uma unidade de substituição, o Distribuidor/Instalador deve primeiro entrar em contato com a TSUNESS e preencher as solicitações do Distribuidor/Instalador, conforme as instruções.

Dentro do período de garantia do Microinversor, é necessária a nota fiscal e a data de compra para a realização do serviço. Além disso, a marca registrada do produto deve estar visível, caso contrário a garantia não estará disponível..

Mais informações podem ser encontradas na Política de Garantia TSUN.

Suporte Técnico Brasil
Email: suporte@tsun-ess.com
Tel. / WhatsApp: (31) 99635-3765
WeChat:





User Manual

TSOL-MS300

TSOL-MS350

TSOL-MS400

TSOL-MS600

TSOL-MS700

TSOL-MS800

TSOL-MS600-D

TSOL-MS700-D

TSOL-MS800-D

TSOL-MS1600

TSOL-MS1800

TSOL-MS2000

TSOL-MS2000 (1500)

Marken und Berechtigungen

TSUN und andere TSUNESS-Marken sind Marken von TSUNESS Co., Ltd. Alle anderen in diesem Dokument erwähnten Marken und Handelsnamen sind Eigentum ihrer jeweiligen Inhaber.

TSUNESS Co., Ltd übernimmt keine ausdrücklichen oder stillschweigenden Zusicherungen bezüglich dieser Dokumentation oder der darin beschriebenen Geräte und / oder Software, einschließlich (ohne Einschränkung) jegliche implizite Garantie der Nützlichkeit, Marktgängigkeit oder Eignung für ein bestimmtes Zweck.

Alle derartigen Garantien werden ausdrücklich ausgeschlossen. Weder TSUNESS noch seine Vertriebspartner oder Händler haften unter keinen Umständen für indirekte, zufällige oder Folgeschäden. (Der Ausschluss stillschweigender Garantien gilt unter Umständen nicht in allen Fällen. Satzungen, Und daher Die über Ausschluss Mai nicht anwenden.)

Die Spezifikationen können ohne Vorankündigung geändert werden. Es wurde alles unternommen, um dieses Dokument vollständig, genau und aktuell zu halten . Die Leser werden jedoch darauf hingewiesen, dass TSUNESS sich das Recht vorbehält, ohne Vorankündigung Änderungen vorzunehmen und nicht für Schäden, einschließlich indirekter, zufälliger , oder Folgeschäden, die durch das Vertrauen auf das präsentierte Material entstehen, einschließlich, aber nicht beschränkt auf Auslassungen, Tippfehler, Rechenfehler oder Auflistungsfehler im Inhaltmaterial.

Alle Warenzeichen werden anerkannt, auch wenn diese nicht gesondert gekennzeichnet sind. Fehlende Bezeichnungen bedeuten nicht, dass es sich bei einem Produkt oder einer Marke um kein eingetragenes Warenzeichen handelt. Alle Warenzeichen werden als Eigentum ihrer jeweiligen Inhaber anerkannt.

Produktinformationen können ohne Vorankündigung geändert werden. Die Benutzerdokumentation wird regelmäßig aktualisiert. Weitere Informationen finden Sie [unter www.tsun-ess.com](http://www.tsun-ess.com) für die neuesten Informationen. Um optimale Zuverlässigkeit zu gewährleisten und die Garantieforderungen zu erfüllen, muss der TSUN-Mikrowechselrichter gemäß den Anweisungen in diesem Handbuch installiert werden. Den Garantietext finden Sie unter www.tsun-ess.com .

© 2022 TSUNESS Co., Ltd. Alle Rechte vorbehalten.

Publikum

Dieses Handbuch ist für den Gebrauch durch professionelles Installations- und Wartungspersonal vorgesehen.

Inhalt

Warenzeichen und Genehmigungen	1
Publikum	2
Inhalt	3
Lesen Sie dies zuerst	4
Wichtige Sicherheitsinformationen	4
Produktetikett	4
Systemeinführung	5
Produktbeschreibung	7
Datenblatt	8
Installation	16
Prüfung vor der Installation	16
Installationsschritte	16
Ferngesteuerte Wirkleistungssteuerung -	23
Selbsttestfunktion für Italien	23
Fehlercode und Fehlerbehebung	24
Wartungsanleitung	24
Rutinewartung	24
Lagerung und Demontage	25
Recycling und Entsorgung	25
Garantieservice	25
Ausschlüsse	26
Verantwortung des Händlers	26

Lesen Sie dies zuerst

Sehr geehrter Kunde, vielen Dank, dass Sie sich für den Serien-Mikrowechselrichter von TSUN entschieden haben. Wir hoffen, dass unsere Produkte Ihren Bedarf an erneuerbarer Energie decken. In der Zwischenzeit freuen wir uns über Ihr Feedback zu unseren Produkten.

Ein Solar-Mikrowechselrichter oder einfach Mikrowechselrichter ist ein Plug-and-Play-Gerät, das in der Photovoltaik verwendet wird und Gleichstrom (DC), der von einem einzelnen Solarmodul erzeugt wird, in Wechselstrom (AC) umwandelt. Der Hauptvorteil besteht darin, dass geringe Beschattung, Schmutz oder Schnee auf einem einzelnen Solarmodul oder sogar ein kompletter Modulausfall die Leistung des gesamten Arrays nicht unverhältnismäßig reduzieren. Jeder Mikrowechselrichter erntet optimale Leistung, indem er für sein angeschlossenes Modul eine Maximum Power Point Tracking (MPPT) durchführt. Einfachheit im Systemdesign, Kabel mit geringerer Stromstärke, vereinfachte Lagerverwaltung und zusätzliche Sicherheit sind weitere Faktoren, die mit der Mikrowechselrichterlösung eingeführt werden.

Dieses Handbuch enthält wichtige Anweisungen für Mikrowechselrichter und muss vor der Installation oder Inbetriebnahme der Geräte vollständig gelesen werden. Aus Sicherheitsgründen dürfen nur qualifizierte Techniker, die eine Schulung erhalten haben oder über entsprechende Kenntnisse verfügen, diesen Mikrowechselrichter anhand dieses Dokuments installieren und warten.

Wichtige Sicherheitshinweise



Bei der Installation, Prüfung und Inspektion müssen alle Handhabungs- und Sicherheitshinweise unbedingt befolgt werden. Bei Nichtbeachtung kann es zu Verletzungen oder Todesfällen sowie zu Schäden an der Ausrüstung kommen.

Produktetikett








In diesem Dokument werden die folgenden Sicherheitssymbole verwendet. Machen Sie sich mit den Symbolen und ihrer Bedeutung vertraut, bevor Sie das System installieren oder bedienen.



· weist auf eine Gefahrensituation hin, die zu tödlichen Stromschlägen, anderen schweren Körperverletzungen oder Brandgefahr führen kann.

 WARNUNG
· weist auf Anweisungen hin , die vollständig verstanden und befolgt werden müssen, um mögliche Sicherheitsrisiken wie Geräteschäden oder Verletzungen zu vermeiden.
 VORSICHT
· weist darauf hin, dass der beschriebene Vorgang nicht ausgeführt werden darf. Der Leser sollte mit der Arbeit aufhören und die erläuterten Vorgänge vollständig verstehen, bevor er fortfährt.

sind die Symbole auf dem Mikrowechselrichter aufgeführt und detailliert dargestellt.

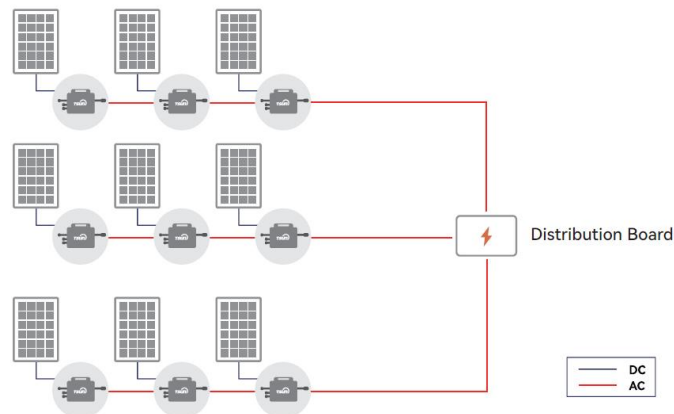
Symbol	Beschreibung
	Dieses Gerät ist direkt an das öffentliche Stromnetz angeschlossen, also alle Arbeiten am Wechselrichter dürfen nur von ausgeführt werden qualifiziertes Personal.
	Die Komponenten im Wechselrichter geben viel ab Hitze während des Betriebs. Berühren Sie während des Betriebs nicht das Metallplattengehäuse .
	und der Wartung zuerst die Installationsanleitung .
	Dieses Gerät DARF NICHT im Hausmüll entsorgt werden.
	Dieses Gerät erfüllt die Anforderungen der Funkanlagenrichtlinie.
RoHS	Dieses Gerät entspricht der RoHS-Richtlinie.
	Bei der Energieumwandlung besteht die Gefahr eines Stromschlags. Führen Sie vor dem Ablassen der Restspannung keine Arbeiten durch und betreten Sie den umliegenden Bereich nicht näher als 25 Zentimeter.
	Vor dem Öffnen des Deckels muss das Gerät vom Stromnetz getrennt und mindestens 5 Minuten lang ruhen.
	Dieses Gerät erfüllt die Anforderungen von INMETRO.
	Dieses Gerät erfüllt die Anforderungen von ANATEL, die Zertifikatsnummer lautet 14715-23-02060 .

Systemeinführung

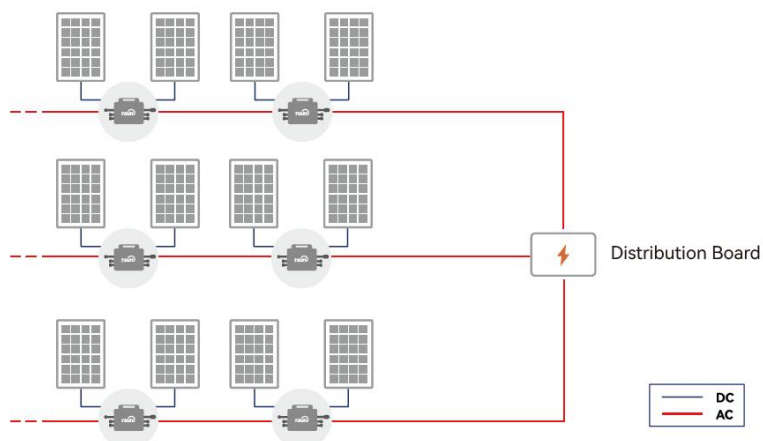
Der Mikrowechselrichter wird in netzgekoppelten Anwendungen eingesetzt und besteht aus zwei Hauptelementen:

- Mikrowechselrichter.
- TSUN-Überwachungssystem.

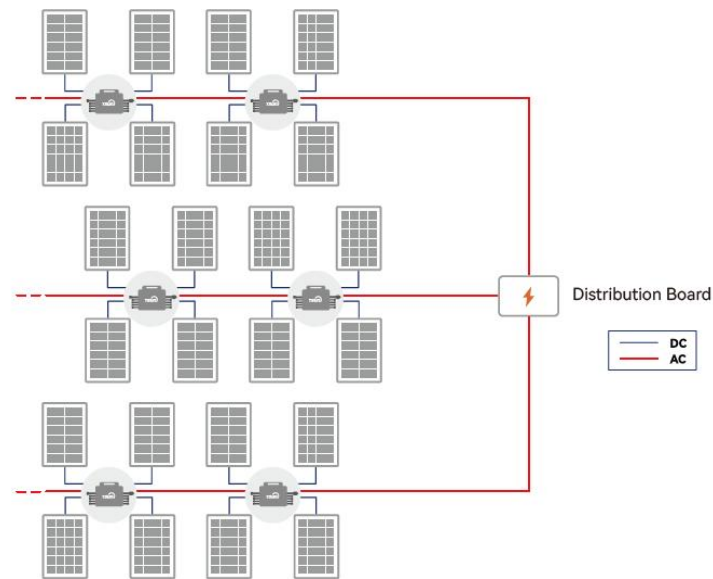
des öffentlichen Netzes entspricht, und sendet den Wechselstrom in das Netz, wodurch der Lastdruck des Netzes verringert wird.



TSOL-MS300/MS350/MS400

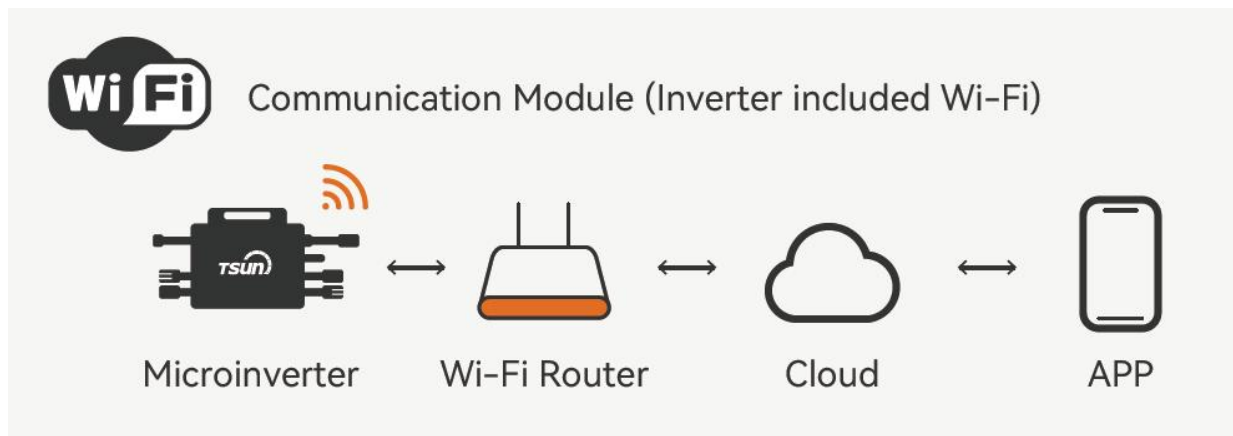


TSOL-MS600/MS700/MS800 / MS600-D / MS700-D / MS800-D

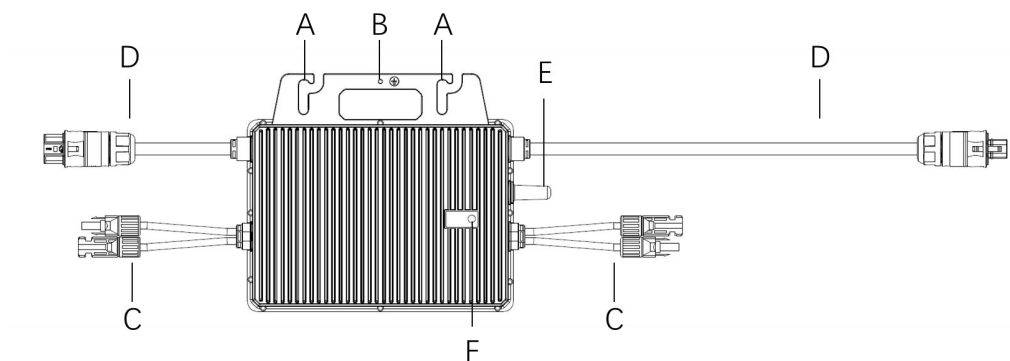


TSOL-MS1600 / MS1800 / MS2000 /MS2000 (1500)

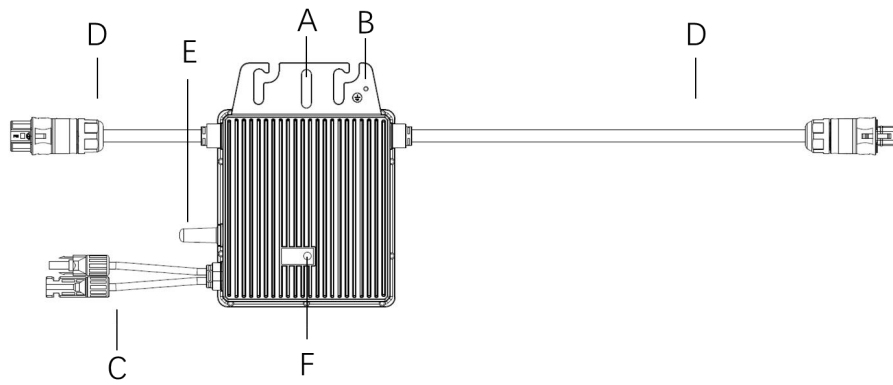
Der Mikrowechselrichter ist in das WLAN-Modul integriert und verbindet sich direkt mit dem heimischen WLAN-Router. Benutzer können die Stromerzeugung des Systems mit der TSUN-Überwachungs-App überwachen .



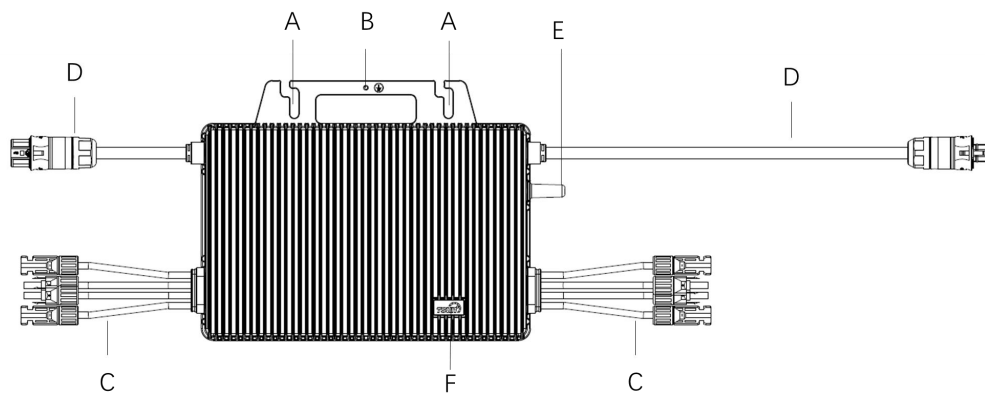
Produktbeschreibung



TSOL-MS600/MS700/MS800 / MS600-D / MS700-D / MS800-D



TSOL-MS400/MS350/MS300



TSOL-MS1600 / MS1800 / MS2000 / MS2000 (1500)

A	Montageloch	D	Ein C-Kabel
B	Erdungsloch	E	Antenne
C	Gleichstromkabel	F	Status Licht

Datenblatt

Modell	TSOL-MS800	TSOL-MS700	TSOL-MS600
Eingangsdaten (DC)			
Empfohlene Modulleistung (W)	30 0 ~ 55 0	30 0 ~ 55 0	30 0 ~ 55 0
Anlaufspannung pro Eingang (V)	22		
Nenneingangsspannung (V)	42		
MPPT- Spannungsbereich pro Eingang (V)	16 ~60		
Max. Eingangsspannung pro Eingang (V)	60		
Max. Kurzschlussstrom pro Eingang (A)	20	20	20
Max. Eingangsstrom pro Eingang (A)	14	14	14
Menge an MPPT	2		
Max. Wechselrichter-Rückspeisestrom zum Array (A)	0		

Ausgangsdaten (AC)			
Max. Ausgangsleistung (VA)	8 00	7 00	6 00
Nominale Dauerausgangsleistung (W)	8 00	7 00	6 00
Nennausgangsstrom (A)	3 .48	3 .04	2 .61
Max. Ausgangsstrom (A)	4	3.19	3
Nennausgangsspannung /-bereich (V)*	220/230/240, 175 – 270, L/N/PE		
Nennfrequenz (Hz)*	50/60		
Leistungsfaktor	>0,99 Standard, 0,8 voreilend ... 0,8 nacheilend		
Harmonische Verzerrung des Ausgangsstroms	<3 %		
Effizienz			
Spitzenwirkungsgrad des Wechselrichters	9 6,7 %	9 6,7 %	9 6,7 %
CEC-gewichteter Wirkungsgrad	9 6,5 %	9 6,5 %	9 6,5 %
Nomineller Mppt-Wirkungsgrad	99,9 %	99,9 %	99,9 %
Stromverbrauch in der Nacht	< 50 mW	< 50 mW	< 50 mW
Schutz			
Anti-Islanding-Schutz	Integriert		
Isolationsüberwachung	Integriert		
AC-Überspannungsschutz	TYP II		
AC-Überstromschutz	Integriert		
AC-Kurzschlusschutz	Integriert		
AC-Überspannungsschutz	Integriert		
Überhitzungsschutz	Integriert		
Mechanische Daten			
Abmessungen (B×H×T mm)	250 * 223 * 30		
Gewicht (kg]	3.1		
Allgemeine Daten			
Anzeige	LED-Anzeigen; TSUN APP+WEB		
Kommunikation	integriertes WiFi-Modul		
Art der Isolierung	Galvanisch getrennter HF-Transformator		
Art des Gehäuses	IP67		
Kühlung	Natürliche Konvektion		
Betriebsumgebungstemperaturbereich	- 40 ~ +65 (Leistungsminderung bei über 50°C Umgebungstemperatur)		
Relative Luftfeuchtigkeit	100%		
Max. Betriebshöhe ohne Leistungsminderung [m]	2000		
WLAN-Standard	802.11b/g/n		
WiFi-Frequenzbereich	2,412 GHz bis 2,472 GHz		
WiFi-Sendeleistung	802.11b: +17 dBm + 1,5 dBm (bei 11 Mbit/s)		
	802.11g:+15dBm + 1,5dBm(bei 54Mbps)		
	802.11n: +14 dBm + 1,5 dBm (@HT20, MCS7)		

WiFi-Empfangsempfindlichkeit	802.11b: -96 dBm (bei 1 Mbit/s)
	802.11b: -89 dBm (bei 11 Mbit/s)
	802.11g: -91 dBm (bei 6 Mbit/s)
	802.11g: -76 dBm (bei 54 Mbit/s)
	802.11n: -91 dBm (@MCS0)
	802.11n: -73 dBm (@MCS7)
BLE-Standard	BLE5.0
BLE-Frequenzbereich	2,402 GHz bis 2,480 GHz
BLE-Sendeleistung	Max. 15 dBm
BLE-Empfangsempfindlichkeit	-97 dBm

※ Der Wechselspannungs- und Frequenzbereich kann je nach Stromnetz des jeweiligen Landes unterschiedlich sein.

Modell	TSOL-MS800-D	TSOL-MS700-D	TSOL-MS600-D
Eingangsdaten (DC)			
Empfohlene Modulleistung (W)	30 0 ~ 55 0	30 0 ~ 55 0	30 0 ~ 55 0
Startspannung pro Eingang (V)	22		
Nenneingangsspannung (V)	4 2		
MPPT- Spannungsbereich pro Eingang (V)	1 6 ~60		
Max. Eingangsspannung pro Eingang (V)	60		
Max . Kurzschlussstrom pro Eingang (A)	20	2 0	20
Max. Eingangsstrom pro Eingang (A)	14	14	14
Menge an MPPT	2		
Max . Rückspeisestrom des Wechselrichters zum Array (A)	0		
Ausgangsdaten (AC)			
Max. Ausgangsleistung (VA)	8 00	7 00	6 00
Nominale Dauerausgangsleistung (W)	8 00	7 00	6 00
Nennausgangsstrom (A)	3 .48	3 .04	2 .61
Max. Ausgangsstrom (A)	4	3.19	3
Nennausgangsspannung /-bereich (V)*	220/230/240, 175 – 270, L/N/PE		
Nennfrequenz (Hz)*	50/60		
Leistungsfaktor	>0,99 Standard, 0,8 voraus ... 0,8 nachteilend		
Harmonische Verzerrung des Ausgangsstroms	<3 %		
Effizienz			
Spitzen-Wechselrichter-Effizienz	9 6,7 %	9 6,7 %	9 6,7 %
CEC-gewichtete Effizienz	9 6,5 %	9 6,5 %	9 6,5 %
Nomineller Mppt-Wirkungsgrad	99,9 %	99,9 %	99,9 %

Stromverbrauch in der Nacht	< 50 mW	< 50 mW	< 50 mW
Schutz			
Anti-Islanding-Schutz	Integriert		
Isolationsüberwachung	Integriert		
AC-Überspannungsschutz	TYP II		
AC-Überstromschutz	Integriert		
AC-Kurzschlusschutz	Integriert		
AC-Überspannungsschutz	Integriert		
Überhitzungsschutz	Integriert		
Mechanische Daten			
Abmessungen (B×H×T mm)	250 * 223 * 30		
Gewicht (kg)	3 .1		
Allgemeine Daten			
Anzeige	LED-Anzeigen; TSUN APP+WEB		
Kommunikation	integriertes WLAN-Modul		
Art der Isolierung	Galvanisch isolierter HF-Transformator		
Art des Gehäuses	IP67		
Kühlung	Natürliche Konvektion		
Betriebsumgebungstemperaturbereich	- 40 ~ +65 (Leistungsminderung bei über 50°C Umgebungstemperatur)		
Relative Luftfeuchtigkeit	100%		
Max. Betriebshöhe ohne Leistungsminderung [m]	2000		
WLAN-Standard	802.11b/g/n		
WiFi-Frequenzbereich	2,412 GHz bis 2,472 GHz		
WiFi-Sendeleistung	802.11b: +17 dBm + 1,5 dBm (bei 11 Mbit/s)		
	802.11g: +15dBm + 1,5dBm (bei 54Mbps)		
	802.11n: +14 dBm + 1,5 dBm (@HT20, MCS7)		
WiFi-Empfangsempfindlichkeit	802.11b: -96 dBm (bei 1 Mbit/s)		
	802.11b: -89 dBm (bei 11 Mbit/s)		
	802.11g: -91 dBm (bei 6 Mbit/s)		
	802.11g: -76 dBm (bei 54 Mbit/s)		
	802.11n: -91 dBm (@MCS0)		
	802.11n: -73 dBm (@MCS7		
BLE-Standard	BLE5.0		
BLE-Frequenzbereich	2,402 GHz bis 2,480 GHz		
BLE-Sendeleistung	Max. 15 dBm		
BLE-Empfangsempfindlichkeit	-97 dBm		

※ Der Wechselspannungs- und Frequenzbereich kann je nach Stromnetz des jeweiligen Landes unterschiedlich sein.

Modell	TSOL-MS400	TSOL-MS350	TSOL-MS300
Eingangsdaten (DC)			
Empfohlene Modulleistung (W)	30 0 ~ 55 0	30 0 ~ 55 0	30 0 ~ 55 0

Anlaufspannung pro Eingang (V)	22		
Nenn -Eingangsspannung (V)	42		
MPPT- Spannungsbereich pro Eingang (V)	16 ~60		
Max. Eingangsspannung pro Eingang (V)	60		
Max. Kurzschlussstrom pro Eingang (A)	20	20	20
Max. Eingangsstrom pro Eingang (A)	14	14	14
Menge an MPPT	1		
Max. Rückspeisestrom des Wechselrichters zum Array (A)	0		
Ausgangsdaten (AC)			
Max. Ausgangsleistung (VA)	400	350	300
Nominale Dauerausgangsleistung (W)	400	350	300
Nennausgangsstrom (A)	1.74	1.52	1.3
Max. Ausgangsstrom (A)	2	1,59	1,45
Nennausgangsspannung /Bereich (V)*	220/230/240, 175 – 270, L/N/PE		
Nennfrequenz (Hz)*	50/60		
Leistungsfaktor	>0,99 Standard, 0,8 voreilend ... 0,8 nacheilend		
Harmonische Verzerrung des Ausgangsstroms	<3 %		
Effizienz			
Spitzenwirkungsgrad des Wechselrichters	96,7 %	96,7 %	96,7 %
CEC-gewichtete Effizienz	96,5 %	96,5 %	96,5 %
Nominale MPPT-Effizienz	99,9 %	99,9 %	99,9 %
Stromverbrauch in der Nacht	< 50 mW	< 50 mW	< 50 mW
Schutz			
Anti-Islanding-Schutz	Integriert		
Isolationsüberwachung	Integriert		
AC-Überspannungsschutz	TYP II		
AC-Überstromschutz	Integriert		
AC-Kurzschlusschutz	Integriert		
AC-Überspannungsschutz	Integriert		
Überhitzungsschutz	Integriert		
Mechanische Daten			
Abmessungen (B×H×T mm)	164 * 225 * 30		
Gewicht (kg)	2.1		
Allgemeine Daten			
Anzeige	LED-Anzeigen; TSUN APP+WEB		
Kommunikation	integriertes WLAN-Modul		
Art der Isolierung	Galvanisch isolierter HF-Transformator		

Art des Gehäuses	IP67
Kühlung	Natürliche Konvektion
Betriebsumgebungstemperaturbereich	- 40 ~ +65 (Leistungsminderung bei über 50°C Umgebungstemperatur)
Relative Luftfeuchtigkeit	100%
Max. Betriebshöhe ohne Leistungsminderung [m]	2000
WLAN-Standard	802.11b/g/n
WiFi-Frequenzbereich	2,412 GHz bis 2,472 GHz
WiFi-Sendeleistung	802.11b: +17 dBm + 1,5 dBm (bei 11 Mbit/s)
	802.11g: +15dBm + 1,5dBm (bei 54Mbps)
	802.11n: +14 dBm + 1,5 dBm (@HT20, MCS7)
WiFi-Empfangsempfindlichkeit	802.11b: -96 dBm (bei 1 Mbit/s)
	802.11b: -89 dBm (bei 11 Mbit/s)
	802.11g: -91 dBm (bei 6 Mbit/s)
	802.11g: -76 dBm (bei 54 Mbit/s)
	802.11n: -91 dBm (@MCS0)
	802.11n: -73 dBm (@MCS7)
BLE-Standard	BLE5.0
BLE-Frequenzbereich	2,402 GHz bis 2,480 GHz
BLE-Sendeleistung	Max. 15 dBm
BLE-Empfangsempfindlichkeit	-97 dBm

※ Der Wechselspannungs- und Frequenzbereich kann je nach Stromnetz des jeweiligen Landes unterschiedlich sein.

Modell	TSOL-MS1600	TSOL-MS1800	TSOL-MS2000
Eingangsdaten (DC)			
Empfohlene Modulleistung (W)	300 - 700+	300 - 700+	300 - 700+
Anlaufspannung pro Eingang (V)	22		
Nenn -Eingangsspannung (V)	42		
MPPT- Spannungsbereich pro Eingang (V)	16 ~60		
Max. Eingangsspannung pro Eingang (V)	60		
Max. Kurzschlussstrom pro Eingang (A)	25	25	25
Max. Eingangsstrom pro Eingang (A)	16	16	16
Menge an MPPT	4		
Max. Wechselrichter-Rückspeisestrom zum Array (A)	0		
Ausgangsdaten (AC)			
Max. Ausgangsleistung (VA)	1600	1800	2000
Nominale Dauerausgangsleistung	1600	1800	2000

(W)			
Nennausgangsstrom (A)	7	7.8	8.7
Max. Ausgangsstrom (A)	8	9	10
Inrush Strom (A)	12	15	15
Max. Ausgangsfehlerstrom (A)	32	40	40
Max. Ausgangs-Überstromschutz (A)	18	18	18
Nennausgangsspannung /-bereich (V)*	220/230/240, 175 – 270, L/N/PE		
Nennfrequenz (Hz)*	50/60		
Leistungsfaktor	>0,99 Standard, 0,8 voraus ... 0,8 nachteilend		
Harmonische Verzerrung des Ausgangsstroms	<3 %		
Effizienz			
Spitzen-Wechselrichter-Effizienz	96,7 %	96,7 %	96,7 %
CEC-gewichtete Effizienz	96,5 %	96,5 %	96,5 %
Nominale MPPT-Effizienz	99,9 %	99,9 %	99,9 %
Stromverbrauch in der Nacht	< 50 mW	< 50 mW	< 50 mW
Schutz			
Anti-Islanding-Schutz	Integriert		
Isolationsüberwachung	Integriert		
AC-Überspannungsschutz	TYP II		
AC-Überstromschutz	Integriert		
AC-Kurzschlusschutz	Integriert		
AC-Überspannungsschutz	Integriert		
Überhitzungsschutz	Integriert		
Mechanische Daten			
Abmessungen (B×H×T mm)	331 * 261 * 44		
Gewicht (kg)	5.5		
Allgemeine Daten			
Anzeige	LED-Anzeigen; TSUN APP+WEB		
Kommunikation	integriertes WLAN-Modul		
Art der Isolierung	Galvanisch isolierter HF-Transformator		
Art des Gehäuses	IP67		
Schutzklasse	ICH		
Kühlung	Natürliche Konvektion		
Betriebsumgebungstemperaturbereich	- 40 ~ +65 (Leistungsreduzierung bei über 50 °C Umgebungstemperatur)		
Relative Luftfeuchtigkeit	100%		
Max. Betriebshöhe ohne Leistungsreduzierung [m]	2000		
WiFi-Standard	802.11b/g/n		
WLAN-Frequenzbereich	2,412 GHz-2,472 GHz		
WLAN-Übertragungsleistung	802.11b: +17 dBm + 1,5 dBm (@11 Mbit/s)		
	802.11g: +15 dBm + 1,5 dBm (@54 Mbit/s)		
	802.11n: +14 dBm + 1,5 dBm (@HT20, MCS7)		

WLAN-Empfangsempfindlichkeit	802.11b: -96 dBm(@1 Mbit/s)
	802.11b: -89 dBm(@11 Mbit/s)
	802.11g: -91 dBm(@6Mbps)
	802.11g: -76 dBm(@54 Mbit/s).
	802.11n:-91dBm(@MCS0)
	802.11n:-73dBm(@MCS7
BLE-Standard	BLE5.0
BLE-Frequenzbereich	2,402 GHz-2,480 GHz
BLE-Sendeleistung	Maximal 15 dBm
BLE-Empfangsempfindlichkeit	-97 dBm

※ Die Wechselspannung und der Frequenzbereich können je nach Netz im jeweiligen Land variieren.

Modell	TSOL-MS2000(1500)
Eingabedaten (DC)	
Empfohlene Modulleistung (W)	300 - 700+
Startspannung pro Eingang (V)	22
Nenneingangsspannung (V)	4 2
MPPT- Spannungsbereich pro Eingang (V)	1 6 ~60
Max. Eingangsspannung pro Eingang (V)	60
Max . Kurzschlussstrom pro Eingang (A)	25
Max. Eingangsstrom pro Eingang (A)	16
Menge an MPPT	4
Ma x. Wechselrichter-Rückspeisestrom zum Array (A)	0
Ausgangsdaten (AC)	
Max. Ausgangsleistung (VA)	1500
Nominale Dauerausgangsleistung (W)	1500
Nennausgangsstrom (A)	6.52
Max. Ausgangsstrom (A)	7.5
I nrush Strom (A)	12
Max . Ausgangsfehlerstrom (A)	32
Max. Ausgangsüberstromschutz (A)	18
Nennausgangsspannung /Bereich (V)*	220/230/240, 175 – 270, L/N/PE
Nennfrequenz (Hz)*	50/60
Leistungsfaktor	>0,99 Standard, 0,8 voreilend ... 0,8 nacheilend
Harmonische Verzerrung des Ausgangsstroms	<3 %
Effizienz	

Spitzenwirkungsgrad des Wechselrichters	9 6,7 %
CEC-gewichteter Wirkungsgrad	9 6,5 %
Nomineller Mppt-Wirkungsgrad	99,9 %
Stromverbrauch in der Nacht	< 50 mW
Schutz	
Anti-Islanding-Schutz	Integriert
Isolationsüberwachung	Integriert
AC-Überspannungsschutz	TYP II
AC-Überstromschutz	Integriert
AC-Kurzschlusschutz	Integriert
AC-Überspannungsschutz	Integriert
Überhitzungsschutz	Integriert
Mechanische Daten	
Abmessungen (B×H×T mm)	331 * 261 * 44
Gewicht (kg)	5.5
Allgemeine Daten	
Anzeige	LED-Anzeigen; TSUN APP+WEB
Kommunikation	eingebautes WiFi-Modul
Art der Isolierung	Galvanisch getrennter HF-Transformator
Art des Gehäuses	IP67
Schutzklasse	ICH
Kühlung	Natürliche Konvektion
Betriebsumgebungstemperaturbereich	- 40 ~ +65 (Leistungsminderung bei über 50°C Umgebungstemperatur)
Relative Luftfeuchtigkeit	100%
Max. Betriebshöhe ohne Leistungsminderung [m]	2000
WLAN-Standard	802.11b/g/n
WiFi-Frequenzbereich	2,412 GHz bis 2,472 GHz
WiFi-Sendeleistung	802.11b: +17 dBm + 1,5 dBm (bei 11 Mbit/s)
	802.11g: +15dBm + 1,5dBm (bei 54Mbps)
	802.11n: +14 dBm + 1,5 dBm (@HT20, MCS7)
WiFi-Empfangsempfindlichkeit	802.11b: -96 dBm (bei 1 Mbit/s)
	802.11b: -89 dBm (bei 11 Mbit/s)
	802.11g: -91 dBm (bei 6 Mbit/s)
	802.11g: -76 dBm (bei 54 Mbit/s)
	802.11n: -91 dBm (@MCS0)
	802.11n: -73 dBm (@MCS7)
BLE-Standard	BLE5.0
BLE-Frequenzbereich	2,402 GHz bis 2,480 GHz
BLE-Sendeleistung	Max. 15 dBm
BLE-Empfangsempfindlichkeit	-97 dBm

※ Der Wechselspannungs- und Frequenzbereich kann je nach Stromnetz des jeweiligen Landes unterschiedlich sein.

, dass die Funkausrüstung (Mikro- Wechselrichter) der Richtlinie 2014/53/EU entspricht . Der vollständige Text der EU- Konformitätserklärung ist unter der folgenden Internetadresse verfügbar: [https://www.tsun-ess.com /File/\\$random-2023-07-03-091204-@2a\\$-97Z](https://www.tsun-ess.com /File/$random-2023-07-03-091204-@2a$-97Z)

Installation von Mikrowechselrichtern

Überprüfung vor der Installation

Überprüfen Sie das Paket

Obwohl die Mikrowechselrichter von TSUN strenge Tests durchlaufen und vor Verlassen des Werks überprüft werden, ist es nicht sicher, ob die Mikrowechselrichter während des Transports beschädigt werden. Bitte überprüfen Sie die Verpackung auf offensichtliche Schäden. Öffnen Sie die Verpackung nicht, wenn solche Anzeichen vorhanden sind, und wenden Sie sich so schnell wie möglich an Ihren Händler.

Überprüfen Sie die Installationsumgebung und -position

Beachten Sie bei der Wahl des Einbauortes folgende Bedingungen:

- ◆ Um eine unerwünschte Leistungsreduzierung aufgrund einer Erhöhung der Innentemperatur des Wechselrichters zu vermeiden, setzen Sie ihn nicht dem direkten Sonnenlicht aus.
- ◆ Um eine Überhitzung zu vermeiden, achten Sie stets darauf, dass der Luftstrom um den Wechselrichter nicht blockiert wird.
- ◆ Nicht an Orten installieren, an denen Gase oder brennbare Substanzen vorhanden sein können.
- ◆ Vermeiden Sie elektromagnetische Störungen, die die ordnungsgemäße Funktion elektronischer Geräte beeinträchtigen können.
- ◆ Es wird empfohlen, Mikrowechselrichter an Strukturen unterhalb der Photovoltaikmodule zu installieren, damit sie im Schatten funktionieren.
- ◆ Überprüfen Sie mit einem Mobiltelefon die WLAN-Signalstärke am Installationsort. Wenn das WLAN-Signal schlecht ist, versuchen Sie, den Mikrowechselrichter an einer anderen Position zu installieren oder den WLAN-Router zu verschieben.

Installationsschritte



- Die Installation, Fehlerbeseitigung und der Austausch von G3-Mikro-Wechselrichtern oder Kabeln und Zubehör darf nur von qualifiziertem Personal durchgeführt werden.
- Überprüfen Sie vor der Installation das Gerät, um sicherzustellen, dass keine Transport- oder Handhabungsschäden vorliegen, die die Isolationsintegrität oder Sicherheitsabstände beeinträchtigen könnten.
- Unbefugtes Entfernen notwendiger Schutzvorrichtungen, unsachgemäße Verwendung,

falsche Installation und Bedienung können zu ernsthaften Sicherheits- und Stromschlaggefahren oder Geräteschäden führen.

· Beachten Sie, dass bei der Installation dieses Geräts die Gefahr eines Stromschlags besteht.

Schritt 1: Befestigen Sie den Mikrowechselrichter.

GEFAHR

· Installieren Sie das Gerät nicht unter ungünstigen Umgebungsbedingungen wie entzündlichen, explosiven, korrosiven, extrem hohen oder niedrigen Temperaturen und Feuchtigkeit.

WARNUNG

· Wählen Sie den Aufstellort sorgfältig aus und halten Sie die vorgegebenen Kühlanforderungen ein. Der Mikro-Wechselrichter sollte an einem geeigneten Ort mit guter Belüftung und ohne direkte Sonneneinstrahlung installiert werden.

VORSICHT

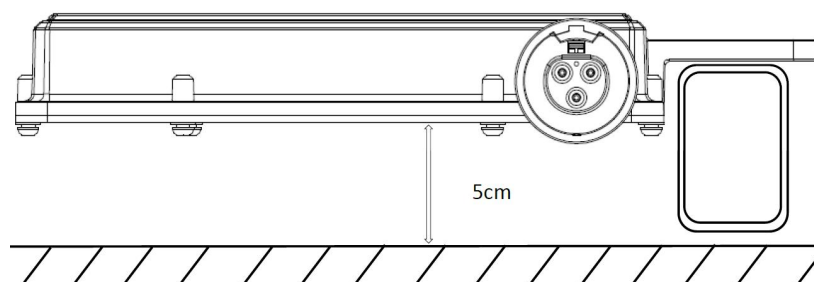
· Im Paket sind keine Schrauben und Muttern enthalten.

· Der Abstand zwischen jeweils zwei Mikro-Wechselrichtern sollte dem entsprechen Länge der AC-Kabel. Die Länge der AC-Kabel wird angezeigt unten:

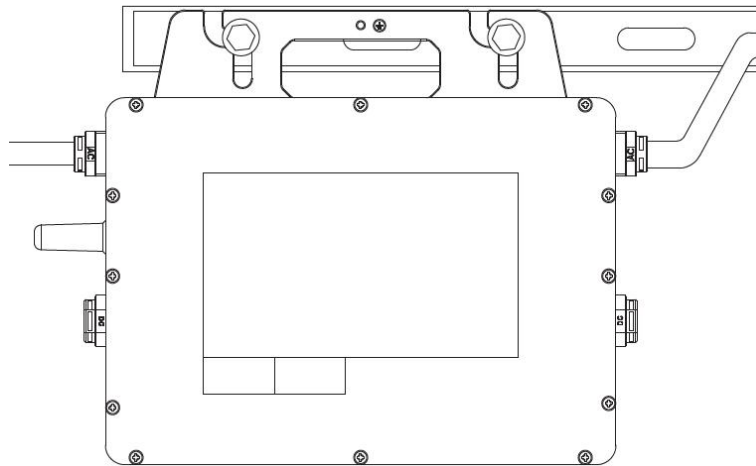
Modell	Kabellänge
T SOL-MS800/MS700/MS600 TSOL-MS600-D / MS700-D / MS800-D TSOL-MS1600 / MS1800 / MS2000 /MS2000 (1500)	2,5 m
T SOL-MS400/MS350/MS300	1,4 m

• Bitte überprüfen Sie mit Ihrem Mobiltelefon die WLAN-Signalstärke am Installationsort und stellen Sie sicher, dass das WLAN-Signal mindestens zwei Balken beträgt. Wenn das WLAN-Signal nicht gut ist, versuchen Sie bitte, den Mini-Wechselrichter an einem anderen Ort zu installieren oder den WLAN-Router zu verschieben.

Tipp: Um die Wärmeableitung zu gewährleisten, muss zwischen Mikrowechselrichter und Dach ein Abstand von 5 cm eingehalten werden.



Wählen Sie die beste Installationsposition. Befestigen Sie den Mikrowechselrichter mit zwei Paar Schrauben und Muttern am Rahmen. Achten Sie darauf, dass das Etikett des Mikrowechselrichters nach oben zeigt.

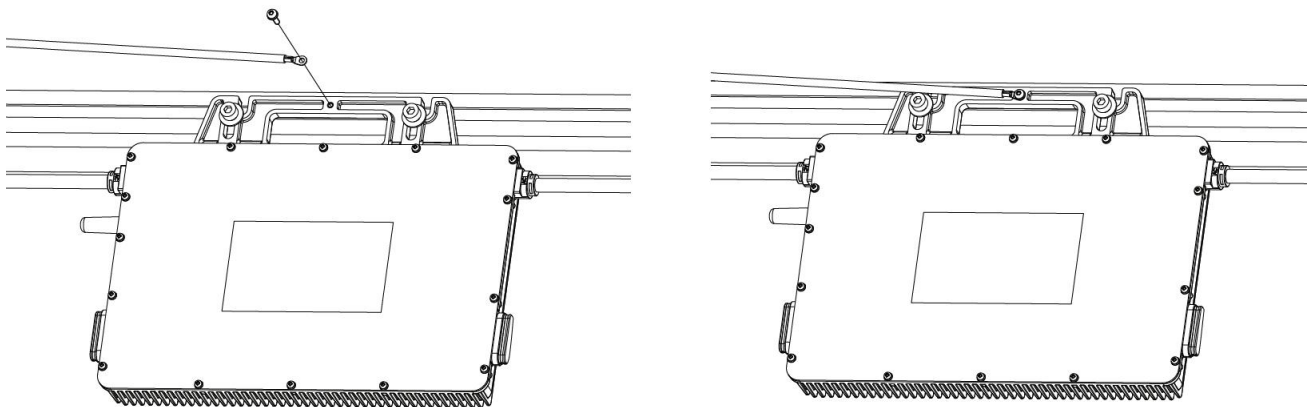


Schritt 2. Erdungskabel anschließen

WARNUNG

- Stellen Sie sicher, dass alle Mikrowechselrichter gut geerdet sind.
- Verwenden Sie für den Erdungsanschluss eine Schraube vom Typ $\phi 6$.

Sie das Erdungskabel an das Gehäuse des Mikrowechselrichters an.



Schritt 3. Verbinden Sie das AC-Kabel zweier Mikrowechselrichter

WARNUNG

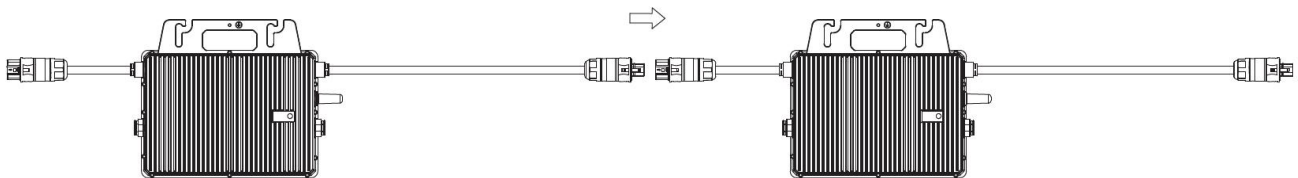
- Je nach max. Stromstärke der AC-Kabel beträgt die max. Installationsmenge für den Mikrowechselrichter in jedem Kabel Abschnitt.

Modell	Mengenangaben für jeden Kabelabschnitt
T SOL-MS1800/MS2000	2
T SOL-MS1600/MS2000(1500)	3

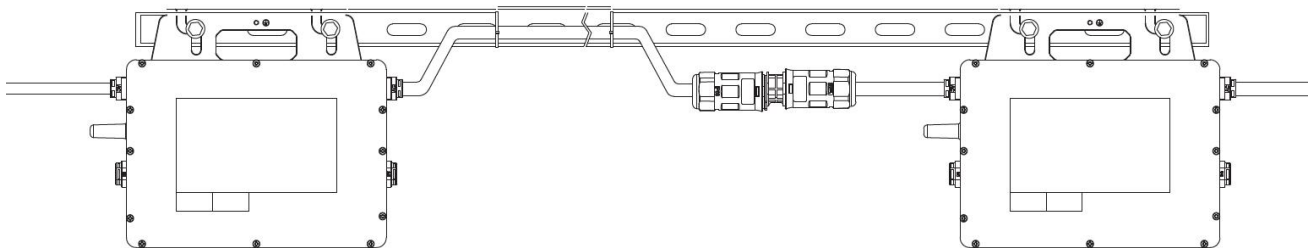
T SOL-MS800/800-D	5
T SOL-MS700/700-D	6
T SOL-MS600/MS600-D	7
T SOL-MS400	11
T SOL-MS350	13
T SOL-MS300	15

Jeder Mikro-Wechselrichter kann über seine Wechselstromkabel mit dem anderen verbunden werden.

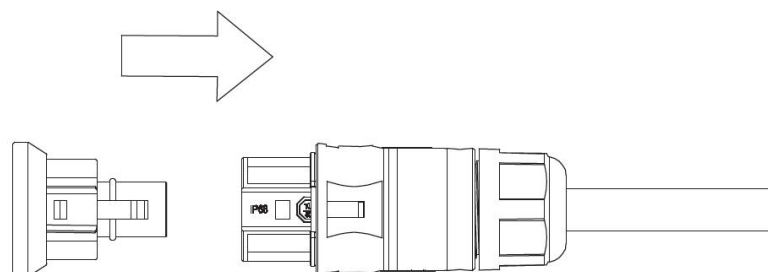
Stecken Sie die AC-Buchse eines Mikrowechselrichters in einen AC-Stecker eines Mikrowechselrichters einen weiteren Mikrowechselrichter, um einen kontinuierlichen Wechselstrom-Zweigkreis zu bilden.



Befestigen Sie die AC-Kabel mit Nylon-Kabelbindern am Rahmen.



Verwenden Sie eine Steckerschutzkappe, um sicherzustellen, dass Der unbenutzte AC-Anschluss muss geschlossen werden.



Schritt 4: Schließen Sie das AC-Endkabel jedes Kabelabschnitts an



- Installieren Sie den Wechselstrom-Anschlusskasten nicht, ohne zuvor die Wechselstromversorgung vom System zu trennen.
- Um elektrische Gefahren zu vermeiden, stellen Sie sicher, dass das Mikro-Wechselrichtersystem vom Hausverteilungsnetz getrennt und der AC-Leistungsschalter geöffnet ist.

! WARNUNG

- Stellen Sie sicher, dass alle AC-Kabel richtig angeschlossen sind und dass keines der Kabel eingeklemmt oder beschädigt ist.
- Verwenden Sie als AC-Endkabel ein Kabel vom Typ AWG 12 (4 mm²).

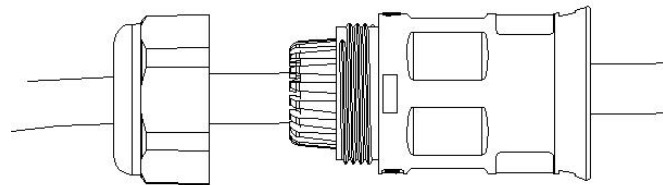
! VORSICHT

- Der Installationstechniker ist für die Auswahl des Wechselstromkabeltyps und den korrekten Anschluss des Mikrowechselrichtersystems an das Hausverteilungsnetz verantwortlich.
- Die AC-Anschlüsse können von verschiedenen Anbietern stammen. Die Portdefinitionen richten sich nach den tatsächlichen Objekten.
- Der AC-Stecker und die Schutzkappe sind nicht im Lieferumfang enthalten.

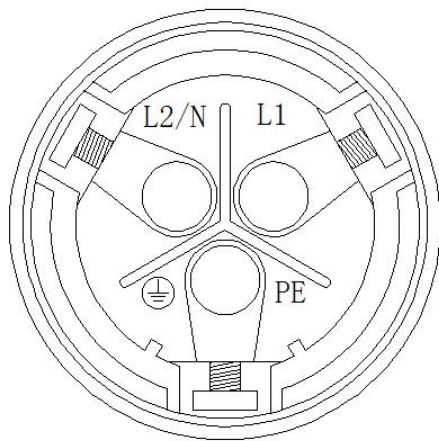
Trennen Sie den AC-Stecker wie unten gezeigt.



Führen Sie das AC-Kabel durch das Gehäuse des AC-Anschlusses oder und schließen Sie das Kabel an den richtigen Anschluss an.

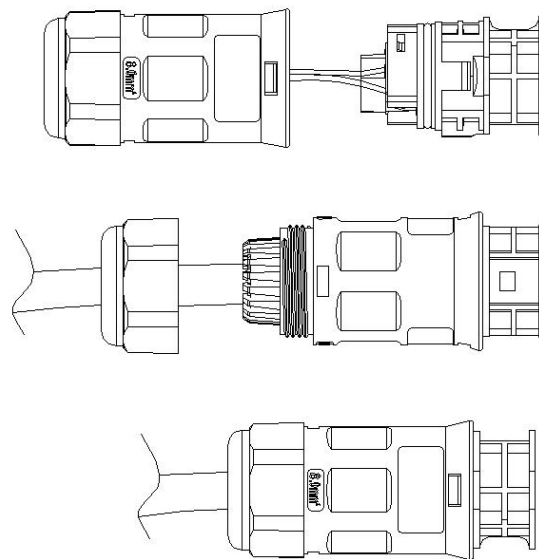


Die Definition des Ports ist unten dargestellt:

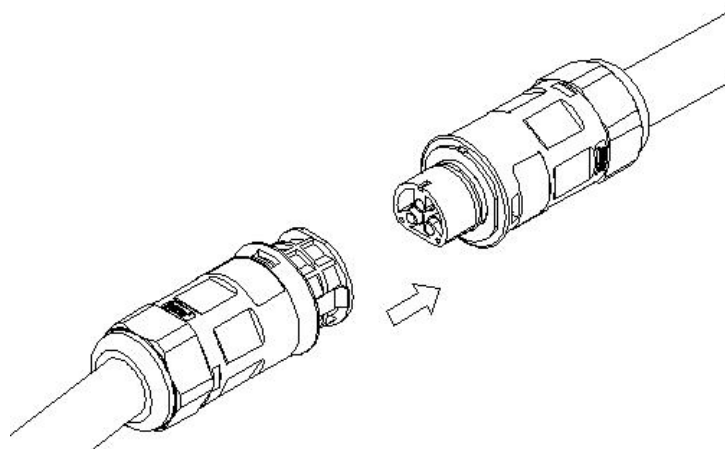


L:	Live	(Brown/Red)
N:	Neutral	(Blue/Black)
PE:	Ground	(Yellow-Green)

Bauen Sie den AC-Stecker wie unten gezeigt wieder zusammen.



Stecken Sie den AC-Stecker in den Mikrowechselrichter und verbinden Sie das AC-Kabel mit dem AC-Verteilerkasten.



Schritt 5: Schließen Sie das Gleichstromkabel an



GEFAHR

· Wenn die Photovoltaikanlage Licht ausgesetzt wird, liefert sie eine Gleichspannung an den

Wechselrichter.

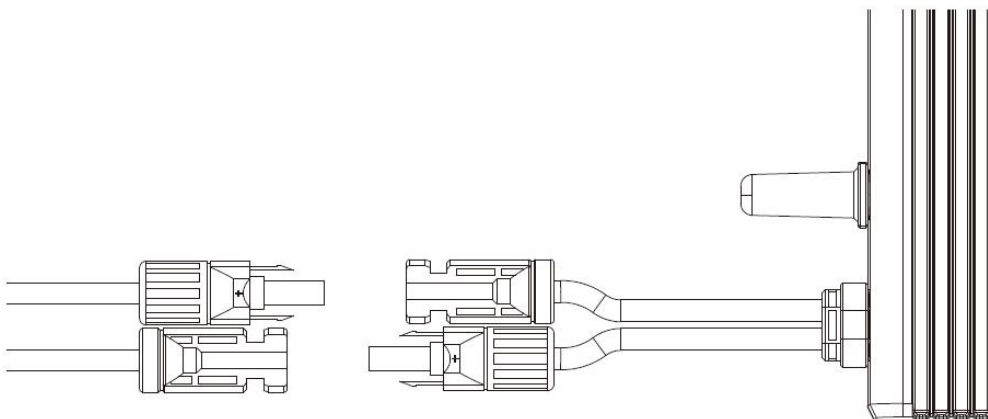
! WARNUNG

- Stellen Sie sicher, dass alle DC-Kabel korrekt verdrahtet sind und keine Drähte eingeklemmt oder beschädigt sind.
- Die maximale Leerlaufspannung des PV-Moduls darf die angegebene maximale Eingangsgleichspannung des TSOL-Mikrowechselrichters nicht überschreiten.

! VORSICHT

- Wenn das Gleichstromkabel für die Installation zu kurz ist, verwenden Sie ein Gleichstrom-Verlängerungskabel, um PV-Module an den Mikrowechselrichter anzuschließen.
- Verwenden Sie MC4-kompatible DC-Anschlüsse auf der Wechselrichterseite des DC-Verlängerungskabels oder beziehen Sie die DC-Anschlüsse von TSUN .
- Wenden Sie sich an den Hersteller des PV-Moduls, um die Anforderungen an die DC-Anschlüsse auf der Modulseite des DC-Verlängerungskabels zu erfahren.

Installieren Sie die PV-Module und verbinden Sie das Gleichstromkabel mit dem Mikrowechselrichter.






Schritt 6. Erstellen Sie einen Installationsplan



! VORSICHT

- Bei mehreren Aufstellungsorten bitte den Aufstellungsplan separat anfertigen und den Aufstellungsort eindeutig beschreiben .
- Die Zeile der Tabelle entspricht der kürzeren Seite des PV -Moduls und die Spalte der Tabelle entspricht der längeren Seite des PV -Moduls. Die Richtung in der oberen linken Ecke bedeutet die tatsächliche Installationsausrichtung.

Nehmen Sie die SN-Schilder und den Installationsplan aus der Verpackung. Kleben Sie die SN-Schilder auf den Installationsplan unten und vervollständigen Sie die Angaben zur Solaranlage .

Customer: (Name of customer or power station)		Installation Direction: (Direction that the PV modules face to)						Installation Site: (If there are other installation sites, Use different installation map and give them different Map No.)				
	1	2	3	4	5	6	7	8	9	10	11	
A												
B												
C												

Schritt 7: Starten Sie das System

 GEFAHR
·Nur qualifiziertes Personal sollte dieses System an das öffentliche Stromnetz anschließen.
 VORSICHT
·Schließen Sie Mikro-Wechselrichter nicht an das Stromnetz an und schalten Sie den/die Wechselstromkreis(e) erst dann ein, wenn Sie alle Installationsverfahren abgeschlossen und die vorherige Genehmigung des Energieversorgungsunternehmens erhalten haben.

Wenn die Installation abgeschlossen ist, schalten Sie den Haupt-Wechselstrom-Leistungsschalter des Versorgungsnetzes ein. Nach etwa zwei Minuten Wartezeit beginnt Ihr System mit der Stromerzeugung.

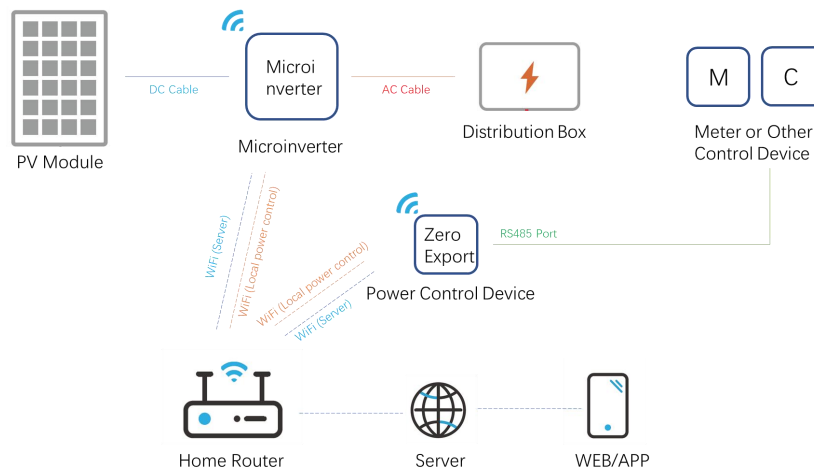
Start blinkt die LED grün und rot . Die Definition von LED ist unten dargestellt.

Status	Zeigt an
Blinkt grün (0,2–0,8 s)	Funktioniert normal
Rot blinkend	W oder König ungewöhnlich
Durchgehend rot	Fehler

Ferngesteuerte Wirkleistungsregelung

In einigen Ländern kann es erforderlich sein, dass die Erzeugungsanlagen mit einer logischen

Schnittstelle ausgestattet sind (Eingangsport), um die Abgabe von Wirkleistung zu stoppen oder die Wirkleistung auf ein geregeltes Niveau zu begrenzen. Dieser Logikeingang kann sei es der RS485-Port, der Ethernet-Port usw. TSUN-Mikrowechselrichter bieten ein zusätzliches Leistungssteuergerät, das einen RS485-Port enthält für diese Fernsteuerung der Wirkleistung. Weitere Informationen finden Sie im „Benutzerhandbuch des TSUN-Leistungssteuergeräts“.



Selbsttestfunktion für Italien

Der TSUN-Mikrowechselrichter und das TSUN-Überwachungssystem bieten eine Selbsttestfunktion für den italienischen Markt. Weitere Informationen finden Sie in der „Benutzeranleitung zur Selbsttestfunktion“.

Fehlercode und Fehlerbehebung

Code	Fehlerinformationen	Fehlerbehebung
1	PV1VoltOver_Fault	Überprüfen Sie die Spannung des PV -Moduls und stellen Sie sicher, dass die Spannung unter der maximalen DC-Eingangsspannung des Mikrowechselrichters liegt. Tritt dieser Fehler dauerhaft auf, wenden Sie sich bitte an den TSUN-Service.
2	PV2VoltOver_Fault	
3	PV1VoltLow_Fault	Diese Warnung erscheint meist morgens oder in der Abenddämmerung. Das ist normal und verschwindet automatisch.
4	PV2VoltLow_Fault	Sollte diese Warnung tagsüber erscheinen, überprüfen Sie bitte den Anschluss des PV -Moduls. Tritt dieser Fehler dauerhaft auf, wenden Sie sich bitte an den TSUN-Service.
5	PV1CurrOver_Fault	Trennen Sie die Wechselstromversorgung, um den Mikrowechselrichter neu zu starten. Tritt dieser Fehler dauerhaft auf, wenden Sie sich bitte an den TSUN-Service.
6	PV2 CurrOver_Fault	
7	Kein Dienstprogramm	Das Wechselstromnetz ist getrennt. Überprüfen Sie das Wechselstromnetz. Sollte dieser Fehler dauerhaft auftreten, kontaktieren Sie bitte den TSUN-Service.
8	NetzspannungÜberbewertung	Das Wechselstromnetz ist anormal. Dieser Fehler verschwindet automatisch, wenn das Wechselstromnetz normal ist. Sollte dieser Fehler dauerhaft auftreten, kontaktieren Sie bitte den TSUN-Service.
9	Netzspannung unter Nennwert	
10	GridFreqÜberBewertung	
11	GridFreqUnderRating	
12	Übertemperatur	Überprüfen Sie die Installation des Mikrowechselrichters . Stellen Sie sicher, dass der Mikrowechselrichter eine gute Wärmeableitung hat . Sollte dieser Fehler dauerhaft auftreten, kontaktieren Sie bitte den TSUN-Service.
13	GFDI_Fehler	Dies ist ein interner Fehler. Trennen Sie die Wechselstromversorgung, um den Mikrowechselrichter neu zu starten. Sollte dieser Fehler dauerhaft auftreten, kontaktieren Sie bitte den TSUN-Service.
14	Fehler 01 - 08	Trennen Sie die Wechselstromversorgung, um den Mikrowechselrichter neu zu starten. Sollte dieser Fehler dauerhaft auftreten, kontaktieren Sie bitte den TSUN-Service.

Wartungshandbuch

Rutinewartung

- ◆ Nur autorisiertes Personal darf die Wartungsarbeiten durchführen und ist für die Meldung etwaiger Anomalien verantwortlich.
- ◆ Verwenden Sie bei Wartungsarbeiten stets die vom Arbeitgeber bereitgestellte persönliche Schutzausrüstung.
- ◆ Überprüfen Sie während des normalen Betriebs, ob die Umgebungs- und Logistikbedingungen angemessen sind. Stellen Sie sicher, dass sich die Bedingungen im Laufe der Zeit nicht geändert haben und dass das Gerät keinen widrigen Witterungsbedingungen ausgesetzt ist und nicht mit Fremdkörpern bedeckt wurde.
- ◆ Bei Problemen das Gerät NICHT verwenden und nach Behebung des Fehlers den Normalzustand wiederherstellen.
- ◆ Führen Sie jährlich eine Inspektion verschiedener Komponenten durch und reinigen Sie die Geräte mit einem Staubsauger oder speziellen Bürsten.
- ◆ Die Firmware-Version kann mithilfe des Überwachungssystems überprüft werden.
- ◆ Schalten Sie vor Wartungsarbeiten immer den AC-Abzweigstromkreis ab.
- ◆ Versuchen Sie nicht, den Mikro-Wechselrichter zu zerlegen oder interne Reparaturen durchzuführen! Um die Integrität der Sicherheit und Isolierung zu wahren, sind die Mikro-Wechselrichter nicht für interne Reparaturen ausgelegt!
- ◆ Sofern nicht anders angegeben, müssen Wartungsarbeiten bei vom Netz getrenntem Gerät (Wechselstromschalter ausgeschaltet) und beschatteten oder isolierten Photovoltaikmodulen durchgeführt werden.
- ◆ Verwenden Sie zum Reinigen KEINE Lappen aus faserigem Material oder ätzende Produkte, die Teile des Geräts korrodieren oder elektrostatische Aufladungen erzeugen können.
- ◆ Vermeiden Sie provisorische Reparaturen. Alle Reparaturen dürfen nur mit Original-Ersatzteilen durchgeführt werden.

Lagerung und Demontage

- ◆ Wenn das Gerät nicht sofort verwendet oder für längere Zeit gelagert wird, überprüfen Sie, ob es richtig verpackt ist. Das Gerät muss in gut belüfteten Innenräumen gelagert werden, die keine Eigenschaften aufweisen, die die Gerätekomponenten beschädigen könnten.
- ◆ Führen Sie bei einem Neustart nach einer langen Pause oder einem längeren Stopp eine vollständige Inspektion durch.
- ◆ Da die darin enthaltenen Bestandteile möglicherweise umweltschädlich sind, entsorgen Sie das Gerät nach der Verschrottung bitte ordnungsgemäß gemäß den im Aufstellungsland geltenden Vorschriften.

Recycling und Entsorgung

Dieses Gerät darf nicht als Hausmüll entsorgt werden. Ein Mikrowechselrichter, der das Ende seiner Lebensdauer erreicht hat, muss nicht an den Händler zurückgegeben werden. Benutzer müssen eine zugelassene Sammel- und Recyclinganlage in ihrer Nähe finden.

Garantieleistungen

Diese Garantie unterliegt den folgenden Bedingungen:

- ◆ Die Produkte müssen von einem autorisierten und lizenzierten Installateur installiert und ordnungsgemäß in Betrieb genommen worden sein. Möglicherweise ist ein Nachweis über die ordnungsgemäße Inbetriebnahme des Produkts erforderlich (z. B. eine Konformitätsbescheinigung). Ansprüche wegen Ausfällen aufgrund fehlerhafter Installation oder Inbetriebnahme sind von dieser Garantie nicht abgedeckt.
- ◆ Wenn ein Produkt oder ein Teil davon im Rahmen dieser Garantie ersetzt oder repariert wird, gilt der Restbetrag des ursprünglichen Garantiezeitraums. Für das Ersatzprodukt oder die Ersatzteile gilt keine neue freiwillige Garantie.
- ◆ Die ursprüngliche Seriennummer und das Typenschild des Produkts müssen intakt und lesbar sein.
- ◆ Diese Garantie erstreckt sich nicht auf Produkte, die vollständig oder teilweise zerlegt oder modifiziert wurden, es sei denn, eine solche Demontage wird von TSUNESS durchgeführt
- ◆ Die Bedingungen dieser Garantie können nur schriftlich durch einen unserer autorisierten Mitarbeiter geändert werden.
- ◆ Am Ende muss es ein unterzeichnetes Inbetriebnahmeprotokoll gegeben haben Benutzer und Installateur erhalten Anweisungen zur Produktinbetriebnahme und -handhabung.

Ausschlüsse

(a) TSUNESS übernimmt keine Garantien, weder ausdrücklich noch stillschweigend, weder mündlich noch schriftlich, in Bezug auf andere Garantiedeckungen außer den ausdrücklich in dieser eingeschränkten Werksgarantie genannten.

(b) Die Werksgarantie deckt keine Schäden ab, die aufgrund von Folgendem entstehen:

- Transportschäden;
- Installation oder Inbetriebnahme durch eine Person, die kein autorisierter, zertifizierter Händler ist;
- Nichtbeachtung der Bedienungsanleitung, Wartungsvorschriften und -intervalle;
- Modifikationen, Änderungen oder Reparaturversuche, außer wenn diese von einem autorisierten Händler durchgeführt wurden;
- Falsche Verwendung oder unsachgemäße Bedienung;
- Unzureichende Belüftung des abgedeckten Produkts;

- Nichtbeachtung der geltenden Sicherheitsvorschriften;
- Höhere Gewalt.

(c) Diese Werksgarantie deckt keine kosmetischen Mängel ab, die keinen direkten Einfluss auf die Energieerzeugung haben oder Form, Passform und Funktion beeinträchtigen.

(d) Ansprüche, die über den Umfang dieser beschränkten Werksgarantie hinausgehen, insbesondere Ansprüche auf Ersatz von direkten oder indirekten Schäden, die durch das defekte Gerät entstehen, auf Ersatz der durch Aus- und Einbau entstandenen Kosten oder von entgangenem Gewinn, sind durch diese Werksgarantie ausdrücklich NICHT abgedeckt.

(e) TSUNESS Co., Ltd. kann in keinem Fall für Personenschäden, die durch die Verwendung des Systems entstehen, oder für sonstige Schäden, ob direkte, indirekte, zufällige oder Folgeschäden, verantwortlich oder haftbar gemacht werden, selbst wenn TSUNESS Co., Ltd. auf derartige Schäden hingewiesen wurde.

Verantwortung des Vertriebshändlers


Im Falle eines Geräteausfalls oder -fehlers liegt es in der Verantwortung des Händlers, direkt mit dem TSUNESS-Servicecenter zusammenzuarbeiten, um die Rücksendung fehlerfreier Geräte zu begrenzen. Das TSUNESS-Servicecenter arbeitet mit dem Händler zusammen, um den Fehler oder die Fehlermeldung per Telefonsupport oder über direkte PC-Verbindungen zu beheben. Hinweis: Um Anspruch auf weitere Entschädigungen und ein Ersatzgerät zu haben, muss der Händler/Installateur zunächst TSUNESS kontaktieren und die Pflichten des Händlers/Installateurs gemäß Anweisung erfüllen .


Innerhalb der Garantiezeit des Mikrowechselrichters sind für den Service die Rechnung und das Kaufdatum erforderlich. Außerdem muss das Markenzeichen auf dem Produkt sichtbar sein, da sonst keine Garantie besteht.


Weitere Informationen finden Sie in den Garantiebestimmungen von TSUN.



TSUNESS Co., Ltd

 www.tsun-ess.com

 sales@tsun-ess.com

 No. 2266, Taiyang Road, Suzhou City,
Jiangsu Province, P. R. China

